

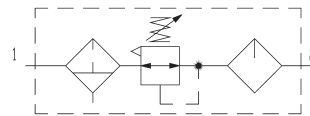
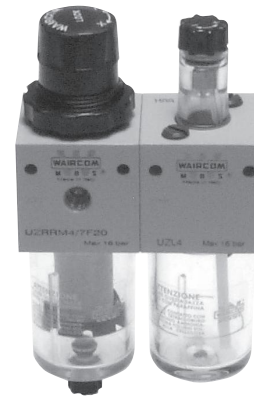
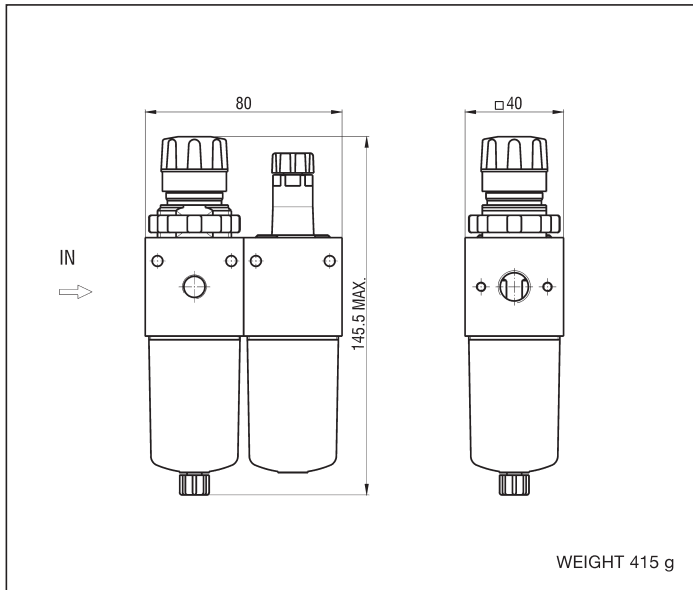
Air treatment: filter reducer + lubricator G 1/8 - G 1/4

series UZ

TECHNICAL DATA

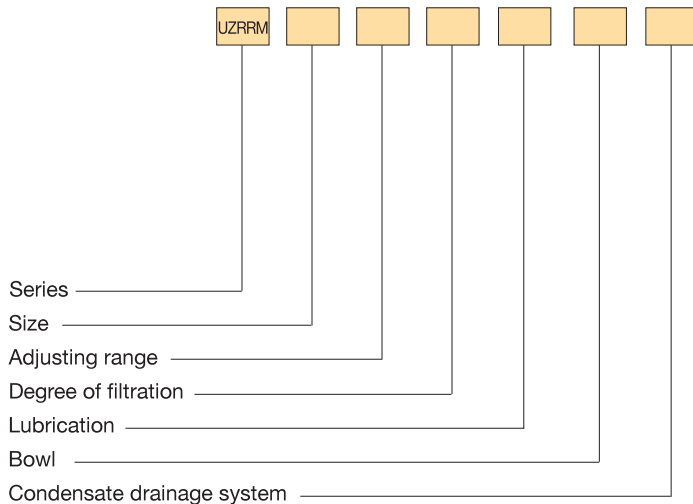
Maximum pressure	16 bar
Working temperature	0 ± +50 °C (-10 °C with dry air)
Fluid	Compressed air
Port size	G 1/8 - G 1/4
Pressure gauge port size	G 1/8
Flow rate at 6 bar ΔP=1 bar	260 NI/min
Wall clamping screws	M4x50

DIMENSIONS AND WEIGHT FR+L



4

ORDER KEY



SIZE			
8	G 1/8	4	G 1/4
ADJUSTING RANGE			
/3	0,2 ÷ 2 bar	/5	0,4 ÷ 4 bar
/7	0,8 ÷ 9 bar	/12	1,5 ÷ 12 bar
DEGREE OF FILTRATION			
F5	5 µm	F20	20 µm
F40	40 µm		
LUBRICATION			
L	Oil mist (standard)	LM	Micro-oil mist
BOWL			
	Transparent	/PM	Metallic protection
/TM	Metallic		
CONDENSATE DRAINAGE SYSTEM			
	Manual	/SS	Semi-automatic

P.S.: Filters reducers + lubricators can be supplied without the relieving seal on request; the series becomes **UZRM**...