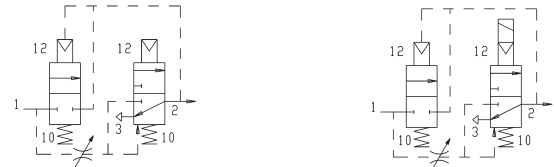
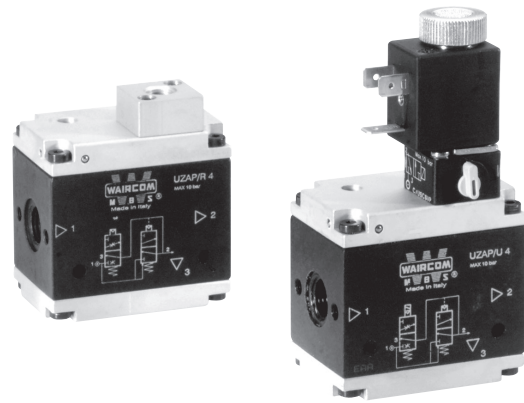


DESCRIPTION

SOFT-START VALVE: soft-start valves series "UZAP" are produced with connections G 1/4 in the pneumatic and solenoid actuated versions. The working of the soft-start valve consists in feeding gradually air into the circuit with adjustable flow. When the pressure in the circuit reaches the 50 ÷ 60% of the upstream set pressure, the valve switches to full capacity, supplying the circuit with the maximum flow rate. They are in compliance with ATEX directive, 2GD category, upon request.



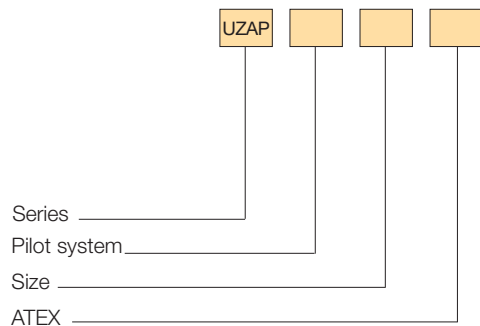
TECHNICAL DATA

Maximum pressure	10 bar
Working temperature	0 ÷ +50 °C (-10 °C with dry air)
Fluid	Filtered, unlubricated or continuous lubricated compressed air
Port size	G 1/4
Piloting port size	G 1/8
Flow rate at 6 bar $\Delta P=1$ bar	500 NI/min (750 NI/min for type UZAP/A4)
Max. flow rate of the adjusting screw of the filling time	300 NI/min
Type of mounting	Modular, in-line and wall-mounting
Wall clamping screws	M4x50
Piloting solenoid valve	C/USCSP - see chapter Direct acting solenoid valves on page 2.14
Coil	USB - see chapter Coils on page 2.17 USBG - see chapter Coils on page 2.17 USBG2 - see chapter Coils on page 2.17
Electric connector	USR 102/N9 - see chapter Connectors on page 2.18 ULR1B - see chapter Connectors on page 2.18

MATERIALS

Body	Anodized aluminium alloy
Springs	Stainless steel
Pistons	Anodized aluminium alloy
Seals	NBR rubber

ORDER KEY



PILOT SYSTEM

/R Pneumatic /U Solenoid

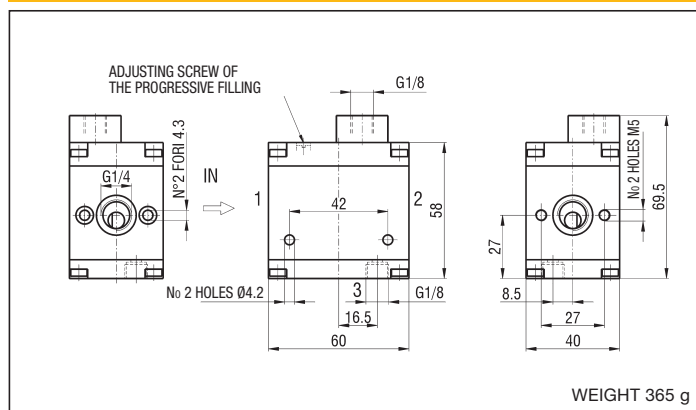
SIZE

4 G 1/4

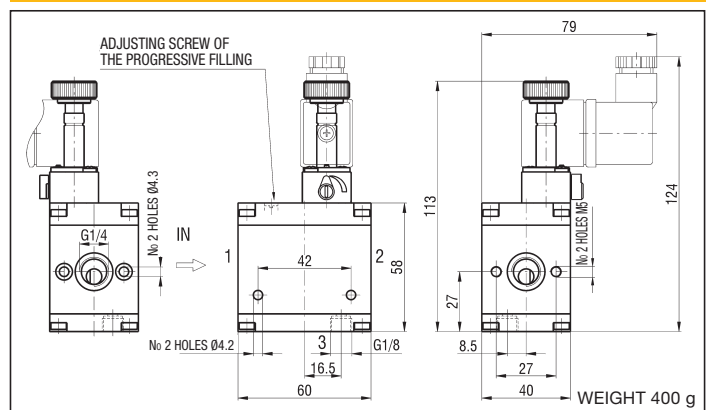
ATEX

/EX Consistent with the ATEX directive $\text{Ex} \text{ II } 2\text{GD c T5 T100}^{\circ}\text{C -10}^{\circ}\text{C} \leq \text{Ta} \leq 50^{\circ}\text{C}$

DIMENSIONS AND WEIGHT - UZAP/R4



DIMENSIONS AND WEIGHT - UZAP/U4



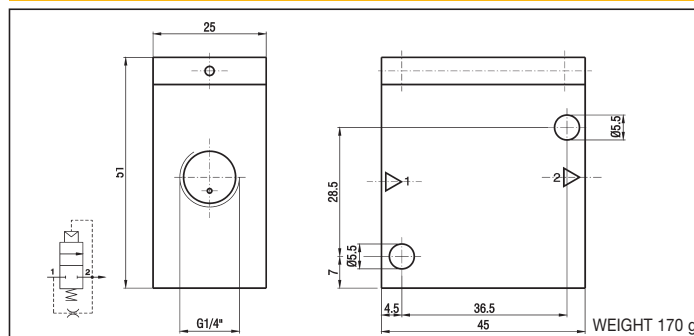
Air treatment: automatic soft-start valve UZAP/A4 G 1/4

series UZ

DESCRIPTION

AUTOMATIC SOFT-START VALVE: this valve, produced with connections G 1/4 in the 2/2 pneumatic version, even if cannot be modular assembled with the F-R-L of series "UZ", yet assures the same functionality of the soft-start valve before mentioned, and with the peculiarity of being "automatic", not needing any kind of external pilot. They are in compliance with ATEX directive, 2GD category, upon request.

DIMENSIONS AND WEIGHT - UZAP/A4



4

Air treatment: shut - off valve UZVL G 1/4

series UZ

DESCRIPTION

Shut - off valves series "UZVL" are produced with connections G 1/4 and they are fit to be locked in the exhaust position by means of a standard padlock. It is in compliance with ATEX directive, 2GD category, upon request.



TECHNICAL DATA

Maximum pressure	16 bar
Working temperature	0 ÷ +50 °C (-10° C with dry air)
Fluid	Filtered, unlubricated or continuous lubricated compressed air
Port size	G 1/4
Flow rate at 6 bar ΔP=1 bar	1300 NI/min
Type of mounting	Modular and in-line

MATERIALS

Body	Anodized aluminium alloy
Seals	NBR rubber
Slider	Anodized aluminium alloy

DIMENSIONS AND WEIGHT - UZVL/4

