

DESCRIPTION

The direct acting solenoid valves series "UL" are produced in the 3/2 N.O. (with feed from the exhaust "3") and 3/2 N.C. pneumatic functions. The function 2/2 is obtainable closing exhaust "3". Besides are available the versions with ports G 1/8, suitable for single use, and with interface for multi-station base mounting or for mounting on poppet and to ex CETOP RP 32 P (with fixed position) valve bodies. They can comply with ATEX directive, 3GD category, upon request.

2

TECHNICAL DATA

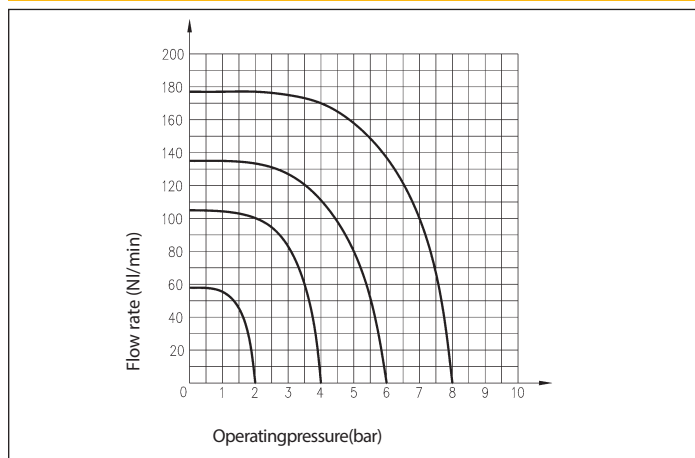
Operating pressure	0 ÷ 10 bar
Working temperature	0 ÷ +50 °C (-20 °C with dry air)
Fluid	Filtered, unlubricated, continuous lubricated or dry compressed air
Nominal diameter	2 mm
Max. operating frequency	≤13 Hz
Coil	Integrated in the body
Voltages	DC: 24 V AC: 24 - 110 - 220 V
Apparent power	DC: 7 W AC: 17 VA (in rush) - 10 VA (holding)
Voltage tolerance	-15% +15%
Protection class	IP 65
Insulation class	F (155 °C)
Solenoid rating	ED 100%
Electric connector	ULR1B - see chapter connectors on page 2.18

MATERIALS

Core	IMRE
Body ported G 1/8	Zamak
Body with interface	Glass stiffened polyamide (zamak upon request)
Springs	Stainless steel
Seals	Viton®
Manual override	Acetal resin



FLOW CHART - UL



3 PORT G 1/8 ZAMAK - UL.../R

Symbol	Function	Controls		Response time at 6 bar (ms)		Flow rate P.A. 6 bar ΔP = 1 bar (NL/min)	Manual override	Weight (g)	TYPE*
		Pilot	Return	Pilot	Return				
	3/2 N.O.	Solenoid	Mechanical spring	15	20	80	-	240	ULARG/R
	3/2 N.C.	Solenoid	Mechanical spring	15	20	80	-	240	ULCSG/R
	3/2 N.O.	Solenoid	Mechanical spring	15	20	80	Manual bistable	240	ULARV/R
	3/2 N.C.	Solenoid	Mechanical spring	15	20	80	Manual bistable	240	ULCRV/R

* SPECIFY THE VOLTAGE IN THE ORDER

E.G.: **ULARG/R02450-60**

02400 = 24 V DC

02450-60 = 24 V AC

11050-60 = 110 V AC

22050-60 = 220 V AC

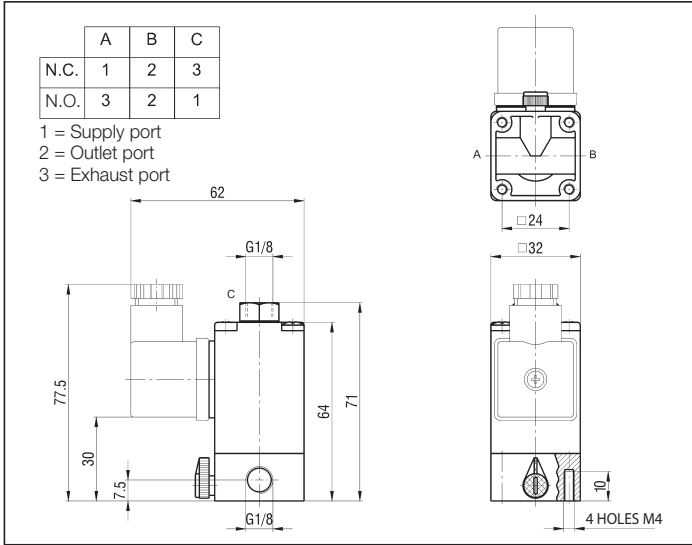
/EX Consistent with the ATEX directive II 3G h Ex nA IIC T4 Gc -5°C ≤ Ta ≤ 50°C

E.G.: **ULCRV/R02400/EX**

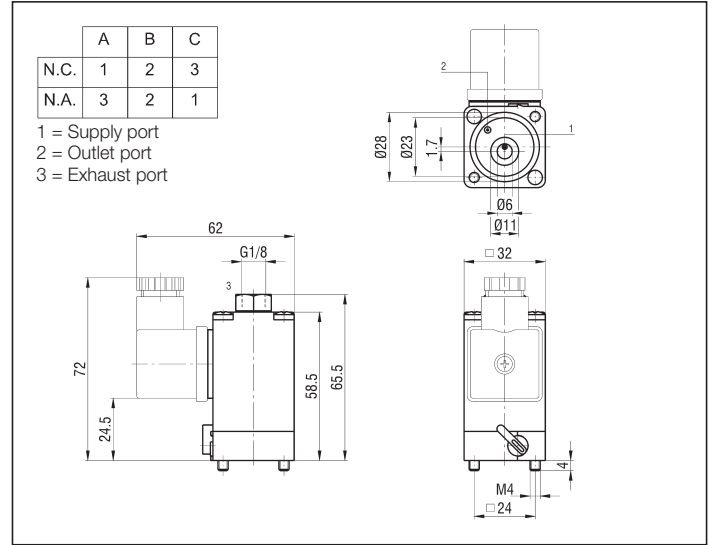


II 3D h Ex tc IIIC T135°C IP65 Dc

3 PORT G 1/8 ZAMAK - UL..R/R



3 PORT WITH UNIVERSAL PLASTIC INTERFACE STRIP- UL..U



2

3 PORT WITH INTERFACE FOR MULTI-STATION BASES AND POPPET / EX CETOP VALVES (WITH FIXED POSITION)

Symbol	Function	Controls		Response time at 6 bar (ms)		Flow rate P.A. 6 bar $\Delta P = 1 \text{ bar (Nl/min)}$	Manual override	Weight (g)	TYPE*
		Pilot	Return	Energized	De-energized				
	3/2 N.O.	Solenoid	Mechanical spring	15	20	80	-	200	ULASG/R
	3/2 N.C.	Solenoid	Mechanical spring	15	20	80	-	200	ULCSG/R
	3/2 N.O.	Solenoid	Mechanical spring	15	20	80	Manual bistable	200	ULASV/R
	3/2 N.C.	Solenoid	Mechanical spring	15	20	80	Manual bistable	200	ULCSV/R

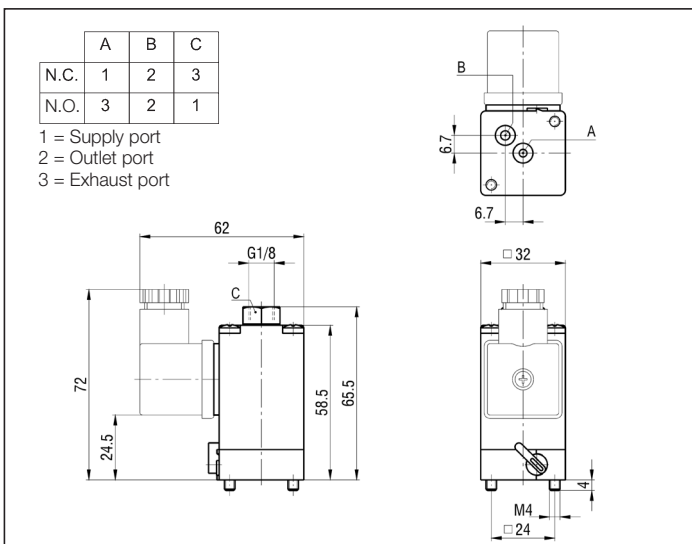
* SPECIFY THE VOLTAGE IN THE ORDER
E.G.: **ULARG/R02450-60**

02400 = 24 V DC 11050-60 = 110 V AC
02450-60 = 24 V AC 22050-60 = 220 V AC

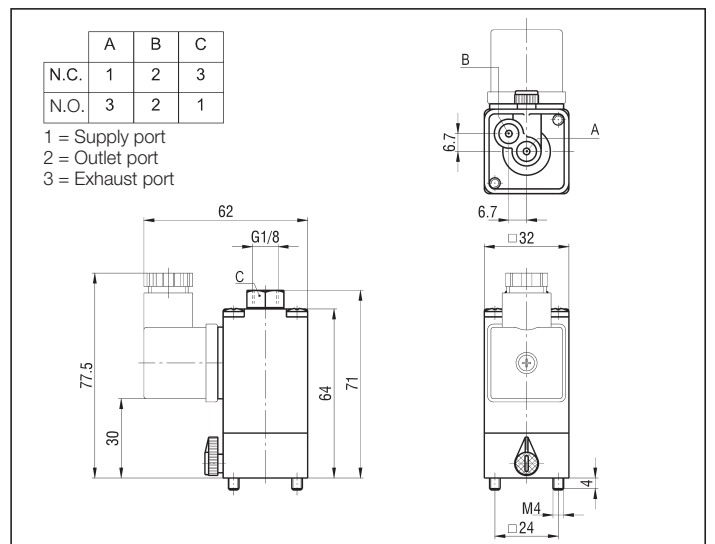
P.S. 1: For body valve in zamak add the letter "A" to the type.
E.G.: 3/2 N.C. with manual override, body in zamak **ULCSV/RA** + voltage.
P.S. 2: For body valve in plastic and universal interface strip change the letter "R" of the type with the letter "U".
E.G.: 3/2 N.C. with manual override, body in plastic **ULCSV/U** + voltage.

/EX Consistent with the ATEX directive II 3G h Ex nA IIC T4 Gc -5°C ≤ Ta ≤ 50°C
E.G.: **ULCSV/R02400/EX**
II 3D h Ex tc IIIC T135°C IP65 Dc

3 PORT WITH PLASTIC INTERFACE STRIP - UL..S./R

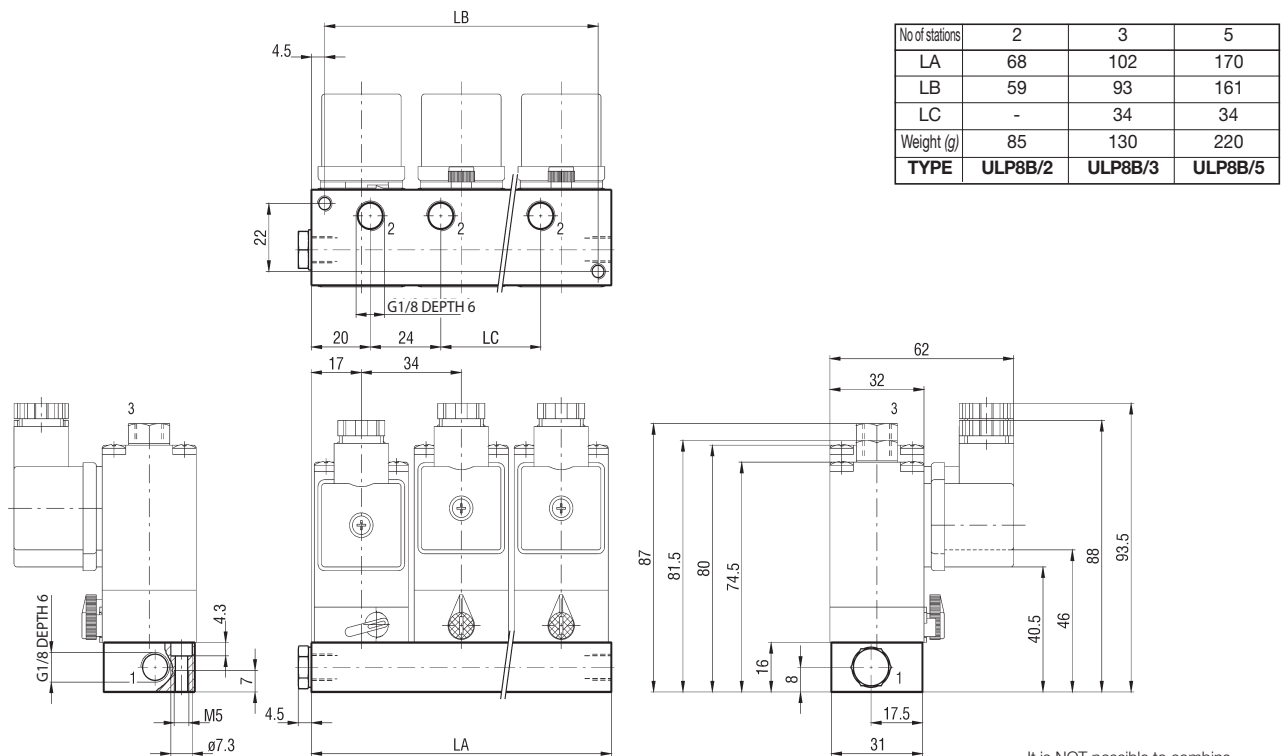


3 PORT WITH ZAMAK INTERFACE STRIP - UL.S./RA



2

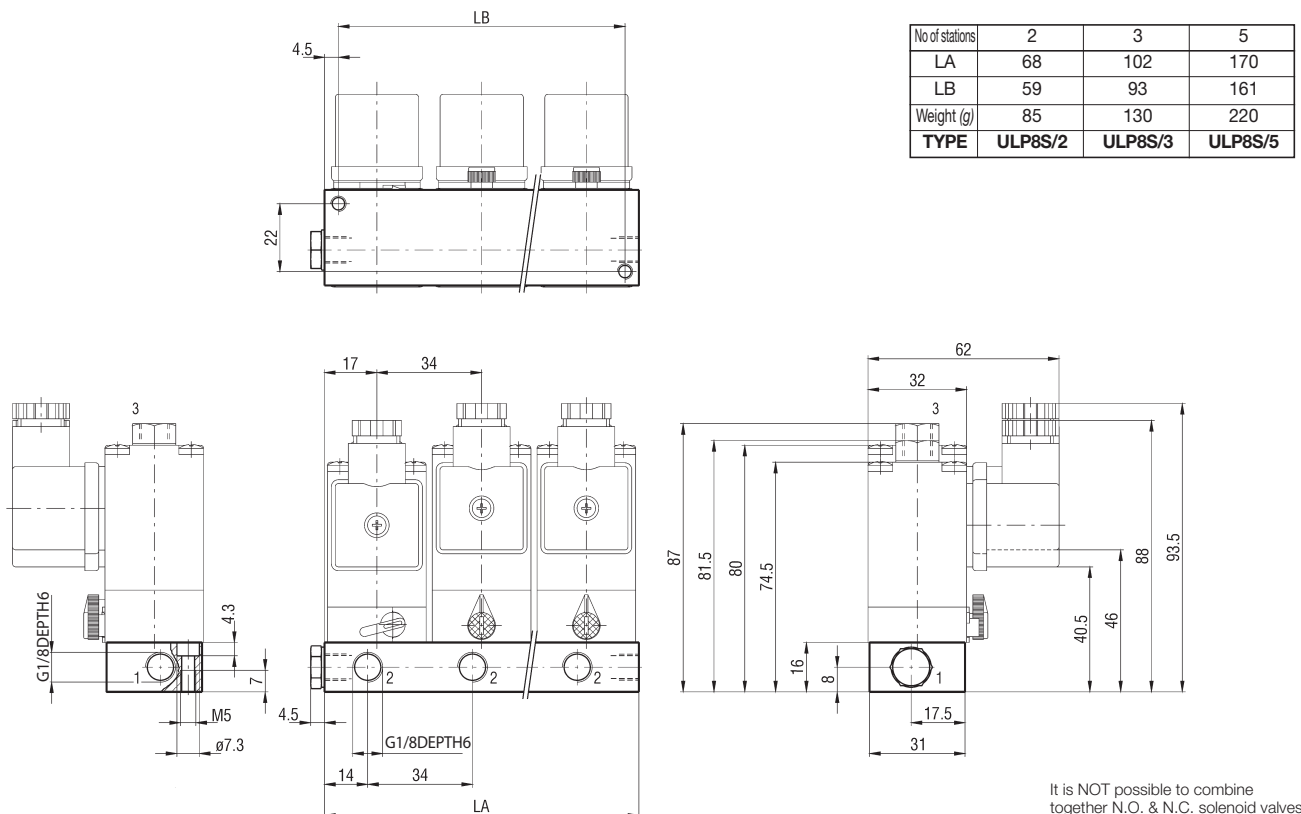
MULTI-STATION BOTTOM PORTED BASE G 1/8 - ULP8B



It is NOT possible to combine together N.O. & N.C. solenoid valves on the same manifold base.

P.S.: Base is supplied complete with plug, tubing and junction seals.

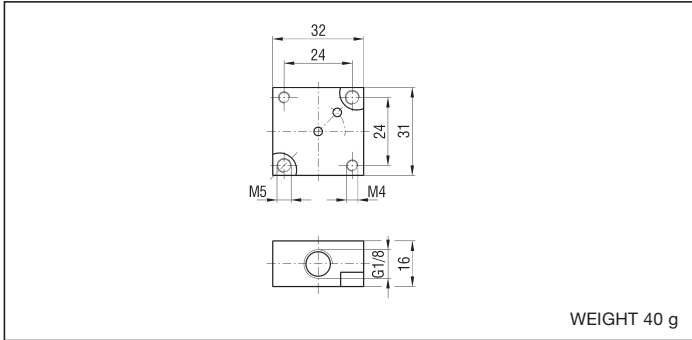
MULTI-STATION SIDE PORTED BASE G 1/8 - ULP8S



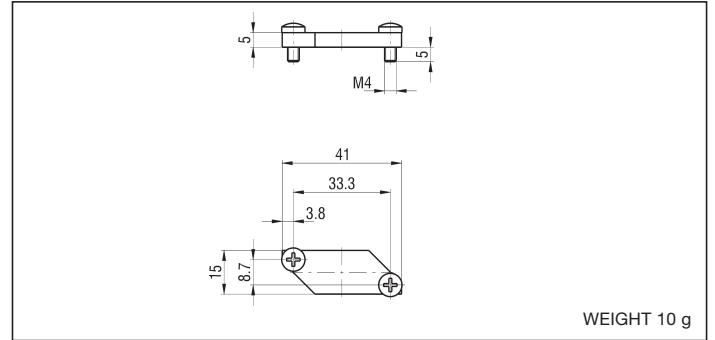
It is NOT possible to combine together N.O. & N.C. solenoid valves on the same manifold base.

P.S.: Base is supplied complete with plug, tubing and junction seals.

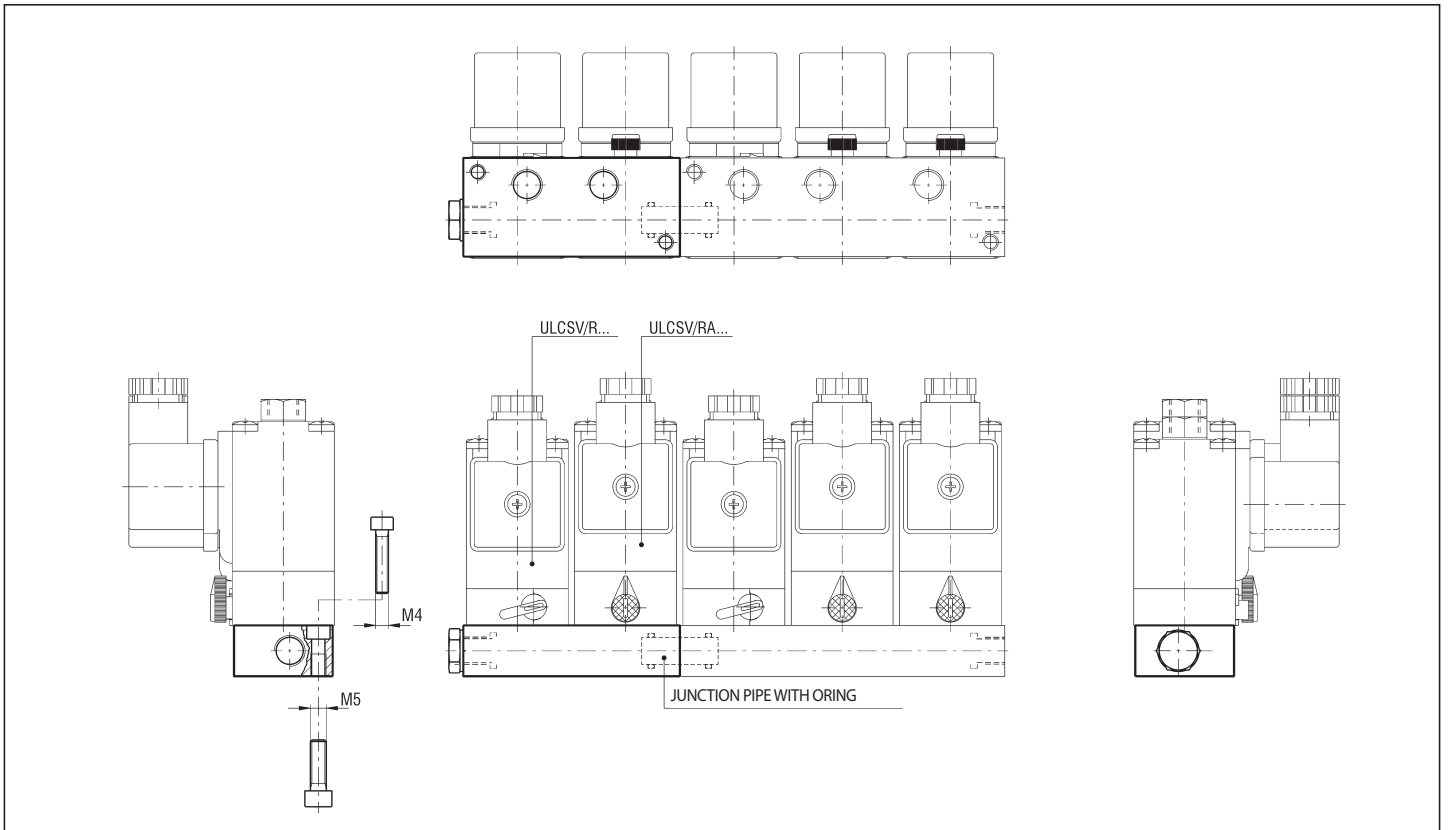
SINGLE BASE G 1/8 - XVB



BLANKING PLATE - KIT/PC/UL



EXAMPLE OF BASES ASSEMBLY



P.S.: The junction pipe is supplied as standard with the multi-station base