

DESCRIPTION

Valves for vacuum series "EV" are produced only in the 3/2 N.O. and 3/2 N.C. pneumatic functions with solenoid pilot assisted actuation. Their function is to work with positive or negative pressure (vacuum) opening or closing the fluid passages. You can get the N.O. version feeding the valve from port "3".



2

TECHNICAL DATA

Operating pressure	(-1 bar ÷ 10 bar)
Pneumatic piloting pressure	3 ÷ 10 bar
Working temperature	-20 ÷ +50 °C
Fluid temperature	+50°C max
Port size	G 1/8 - G 1/4 - G 3/8 - G 1/2 - G 3/4 - G 1 - G 1½ - G 2
Coils	G 1/8: WE3A - see chapter Coils on page 2.109 G 1/4 - G 3/8: USB - see chapter Coils on page 2.17 G 1/2 ÷ G 2: WE2A - see chapter Coils on page 2.109
Electric connectors	USR102/N9 - see chapter Connectors on page 2.18 ULR1B - see chapter Connectors on page 2.18

MATERIALS

Bottoms	Anodized aluminium
Body	Anodized aluminium
Springs	Stainless steel
Sleeve	Nickel-plated brass
Core	Stainless steel
Piston	Aluminium
Diaphragm and plunger	Polyurethane

3 PORT SOLENOID PILOT ASSISTED ACTUATED VALVES

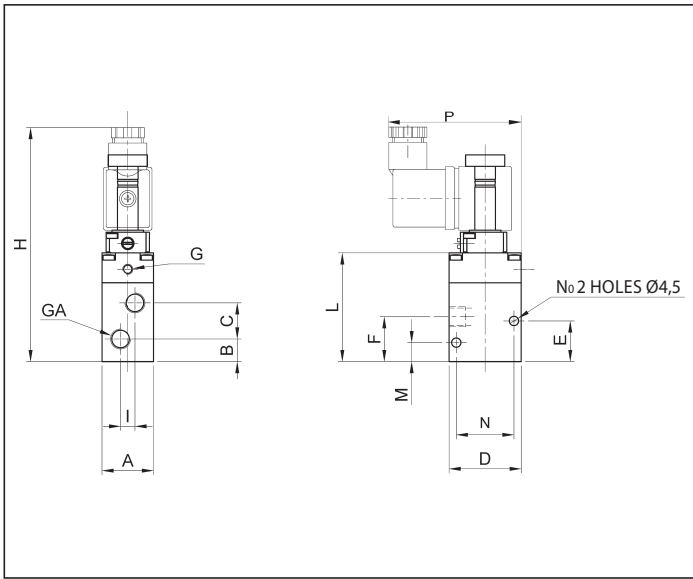
Symbol	Function	Controls		Response time at 6 bar (ms)		Maximum flow rate pump (m3/h)	Port size	Weight	TYPE*
		Pilot	Return	Energized	De-energized				
	3/2 N.C. - 3/2 N.O.	Solenoid pilot assisted	Mechanical spring	15	25	1,5	G 1/8	163	EV8
	3/2 N.C. - 3/2 N.O.			18	28	4	G 1/4	462	EV4
	3/2 N.C. - 3/2 N.O.			18	28	10	G 3/8	451	EV3
	3/2 N.C. - 3/2 N.O.			20	40	20	G 1/2	780	EV2
	3/2 N.C. - 3/2 N.O.			20	40	20	G 3/4	750	EV6
	3/2 N.C. - 3/2 N.O.			20	45	35	G 1	1212	EV1
	3/2 N.C. - 3/2 N.O.			60	40	180	G 1½	3300	EV12
	3/2 N.C. - 3/2 N.O.			80	50	250	G 2	9800	EV16

P.S.: FOR VERSION N.O. ARRANGE THE CONNECTIONS AS INDICATED:

1 = EXHAUST
2 = OUTPUT
3 = PUMP

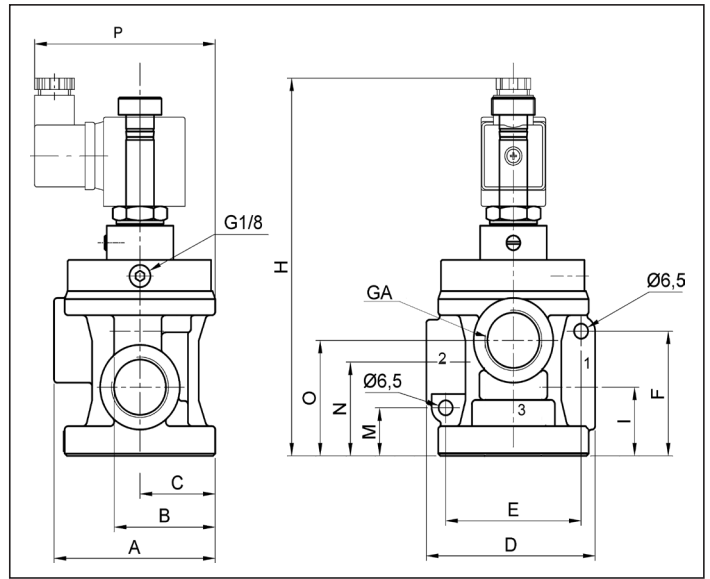
*THE TYPES OF THE SOLENOID VALVES DO NOT INCLUDE COILS

EV8 - EV4 - EV3



TYPE	A	B	C	D	E	F	G	GA	H	I	L	M	N	P
EV8	25	11	17.5	35	19.7	21.7	M5	G 1/8	112.7	7	52.7	9.2	28	65
EV4	32	17	23	50.5	28	28	G1/8	G 1/4	136	-	69.5	17	41	89
EV3	32	17	23	50.5	28	28	G1/8	G 3/8	136	-	69.5	17	41	89

EV2 - EV6 - EV1 - EV12 - EV16



TYPE	A	B	C	D	E	F	GA	H	I	M	N	O	P
EV2	75	47	35	78.5	63	54.5	G 1/2	152	30	21	41	50.5	85.5
EV6	75	47	35	78.5	63	54.5	G 3/4	152	30	21	41	50.5	85.5
EV1	94	55	45	101	78	62.5	G 1	168	38	25.5	51	64	95
EV12	138	84	59	158	113	113	G 1½	240	68	34	68	96	-
EV16	183.5	113.5	78.5	210	150	152	G 2	310	92	48	92	129	-