

DESCRIPTION

Flow regulators series "UR" are produced in three different versions, unidirectional (type "URG") - bi-directional (type "URF"), to have a precision in-line regulation; unidirectional (type "URE"), when it's necessary a standard in-line regulation with reduced dimensions, and in the silenced exhaust version (type "URS"). In-line precision flow regulators type "URG"- "URF" are available in different adjustment scale in the size G 1/8 (see the flow charts).



3

IN-LINE PRECISION FLOW REGULATORS TYPE URG - URF

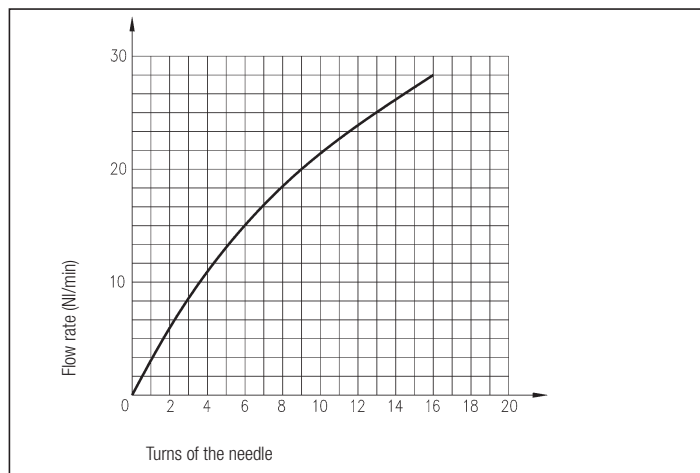
TECHNICAL DATA

Operating pressure	0 ÷ 12 bar
Working temperature	0 ÷ +80 °C (-20 °C with dry air)
Fluid	Compressed air, filtered, continuous lubricated, unlubricated or dry lubricated
Port size	G 1/8 - G 1/4 - G 1/2

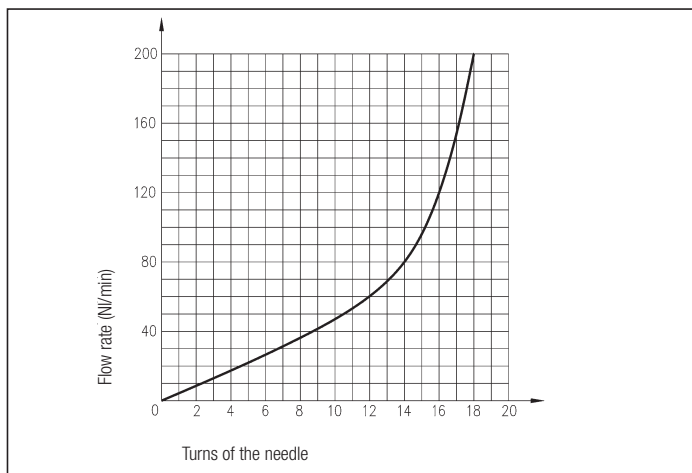
MATERIALS

Body	Anodized aluminium alloy
Seals	NBR rubber
Regulation needle	Aluminium (stainless steel for "URG" - "URF 8/1")
Needle guide	Brass
Nuts	Brass

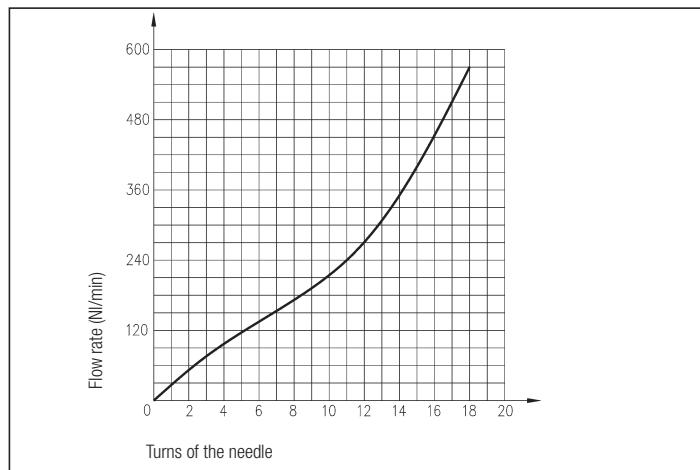
FLOW CHART AT 6 BAR - UR 8/1



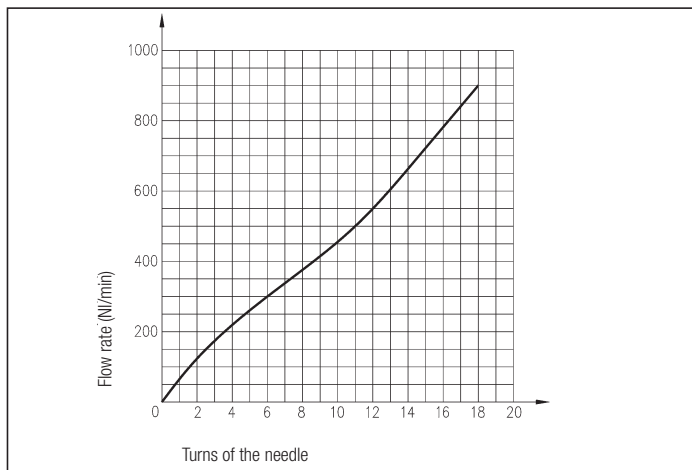
FLOW CHART AT 6 BAR - UR 8/2



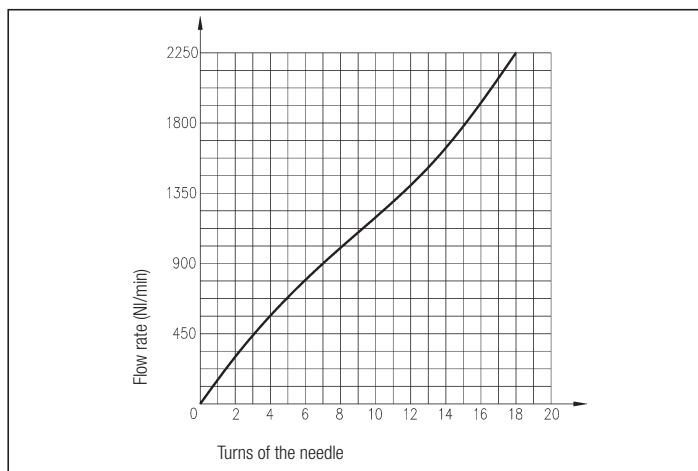
FLOW CHART AT 6 BAR - UR 8/5



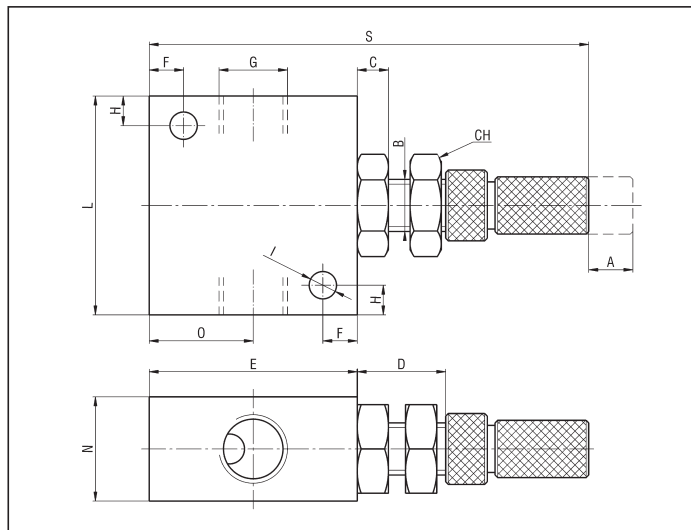
FLOW CHART AT 6 BAR - UR 4/10



FLOW CHART AT 6 BAR - UR 2/25



DIMENSIONS AND WEIGHTS URG - URF



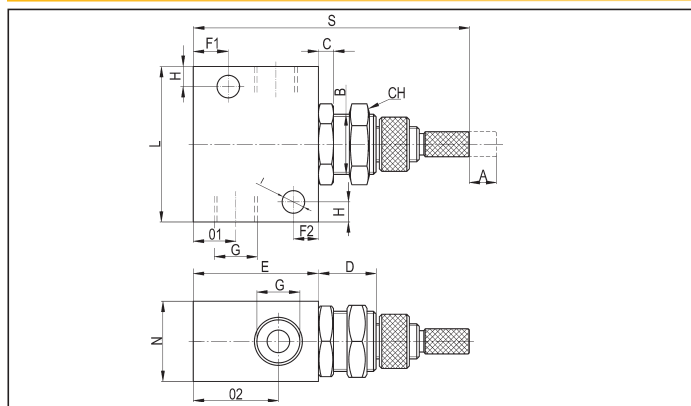
A	B	C	CH	D	E	F	H
6	M12x0,75	4	14	12,5	31	4,5	5,5
8,5	M15x0,75	5,5	17	17	40	6,5	6
13	M25x1,5	7	30	22	65	8,5	12,5
I	L	N	O	S	Weight (g)	G	
4,3	34	16	15,5	65	60	G 1/8	
5,25	42	20	20	84,5	120	G 1/4	
6,25	69	35	32,5	127	540	G 1/2	

Symbol	Nominal diameter (mm)	Port size	TYPE
	0,9	G 1/8	URG8/1
	2	G 1/8	URG8/2
	5	G 1/8	URG8/5
	7,2	G 1/4	URG4/10
	12	G 1/2	URF2/25
	0,9	G 1/8	URF8/1
	2	G 1/8	URF8/2
	5	G 1/8	URF8/5
	7,2	G 1/4	URF4/10
	12	G 1/2	URF2/25

IN LINE STANDARD FLOW REGULATORS TYPE URE

Symbol	A	B	C	CH	D	E	F1	F2	H
	10	M12X0,75	3	14	11	25	7	5	4
	13	M15X0,75	5	23	16	45	6,5	6,5	6,5
	I	L	N	O1	O2	S	Weight (g)	G	TYPE
	4,5	31	16	8,5	17	55	55	G 1/8	URE8
	5,3	56	25	13,5	26	88,5	101	G 1/2	URE2

DIMENSIONS AND WEIGHTS URE



SILENCED EXHAUST FLOW REGULATORS TYPE URS

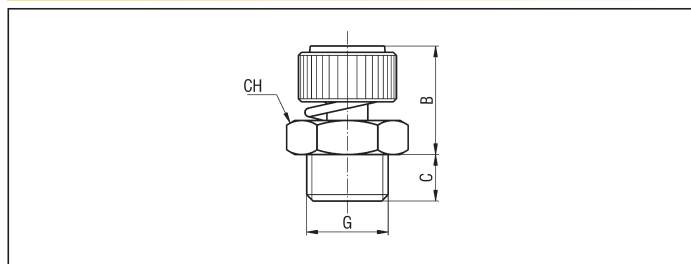
TECHNICAL DATA

Operating pressure	0 ÷ 12 bar
Working temperature	0 ÷ +80° C (-20° C with dry air)
Fluid	Compressed air, filtered, continuous lubricated, unlubricated or dry lubricated
Port size	G 1/8 - G 1/4 - G 3/8 - G 1/2

MATERIALS

Body	Brass
Silencer	Sintered bronze
Seals	NBR rubber

DIMENSIONS AND WEIGHTS URS



Symbol	B	C	CH	Weight (g)	G	TYPE
	15,5	6	12	15	G 1/8	URS8/3
	17,5	8	16	25	G 1/4	URS4/5
	20	9	20	40	G 3/8	URS3/7
	22,5	10,5	22	70	G 1/2	URS2/9