

1

DESCRIPTION

Calked stainless steel cylinders series "AU" comply with ISO 6432 standard. They are available from Ø 16 to Ø 25, in the basic cylinder version, through rod, magnetic and non-magnetic, and in the adjustable cushions version produced from Ø 20 to Ø 25. They can comply with ATEX directive, 2GD category, upon request.



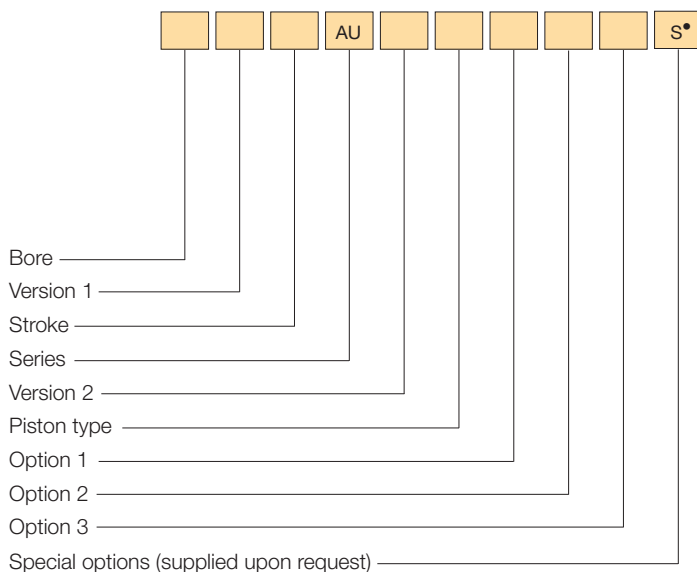
TECHNICAL DATA

Operating pressure	1 ÷ 10 bar
Working temperature	0 °C ÷ +80 °C (with dry air -35 °C) 0 °C ÷ +150 °C with seals for high temperatures (with dry air -10 °C)
Fluid	Compressed air, filtered, continuous lubricated, unlubricated or dry lubricated
Versions	Double acting, through rod
Bore	Ø 12, 16, 20, 25
Port size	Ø 12 - 16 = M5 Ø 20 - 25 = G1/8
Standard strokes (mm)	25, 50, 80, 100, 125, 160, 200, 250, 300, 320, 400, 500
Decelerators lenght	Ø 20 25 mm 18 20
Maximum strokes (mm)	Ø 12 - 16 = 200; Ø 20 = 320; Ø 25 = 500

MATERIALS

End caps	AISI 304 stainless steel
Cylinder barrel	Extruded tube, AISI 304 stainless steel
Barrel-end cover fixing type	Irreversible calking with dual-seal system, mechanical and pneumatic
Piston rod	AISI 316 stainless steel
Rod and end cap nuts	AISI 304 stainless steel
Decelerators ogives	Aluminium alloy
Piston rod bearing	Self lubricating sintered bronze
Piston	Brass (supplied with and without magnet)
Piston seals	Polyurethane - FKM (Viton®)

ORDER KEY



• See chapter 1, page 1.1.

VERSION 1

/ Basic cylinder R Through rod

VERSION 2

D Double acting

PISTON TYPE

C Non-magnetic E Magnetic*

OPTION 1

X Cushioned**

OPTION 2

2 Seals for high temperatures

OPTION 3

/EX Consistent with the ATEX directive  II 2GD c T5 T100°C -20°C < Ta < 80°C***

* Available even with "FKM" (Viton®) seals but just for applications where is needed a chemical compatibility; not available for high temperatures.

** Supplied only for Ø 20 to Ø 25

*** Not supplied for Ø 12

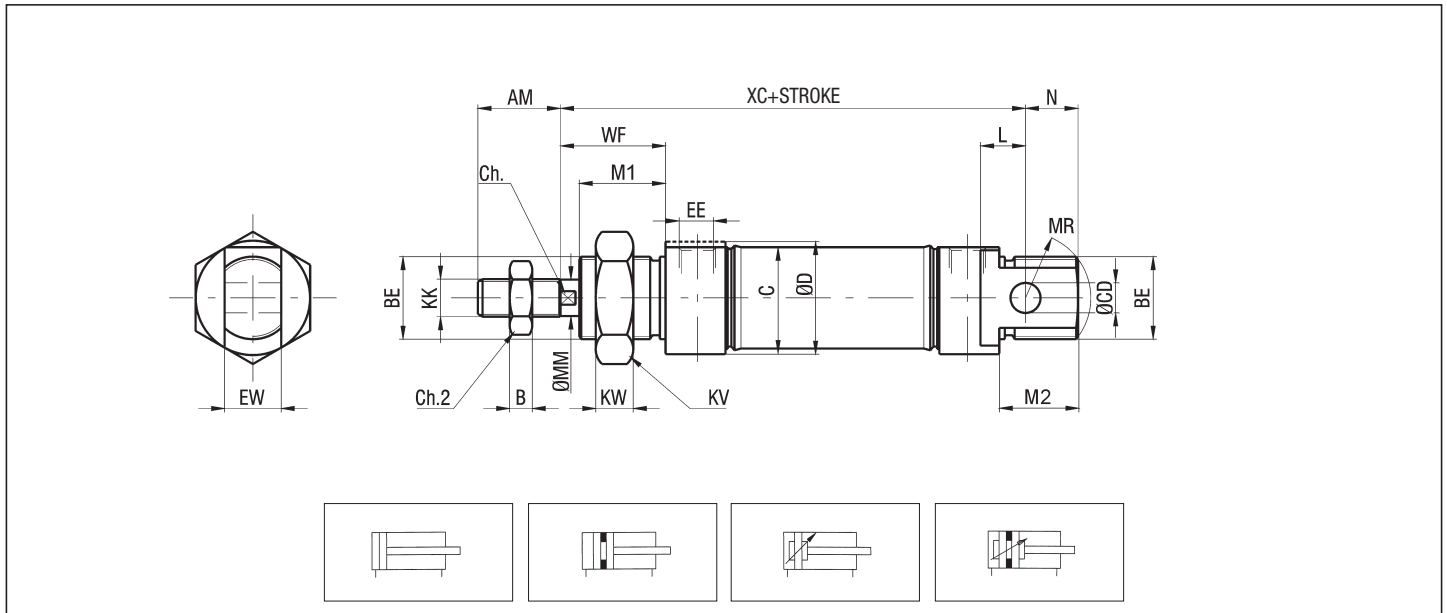
ORDER EXAMPLES

Basic cylinder Ø16, 50 mm stroke, double acting, non-magnetic piston type: ATEX: **16/50 AUDC/EX**

Basic cylinder Ø20, 50 mm stroke, double acting, magnetic piston type, cushioned: **20/50 AUDCX**

Cylinder Ø25, through rod, 100 mm stroke, double acting, magnetic piston type, cushioned: **25R100 AUDEX**

AU BASIC CYLINDER



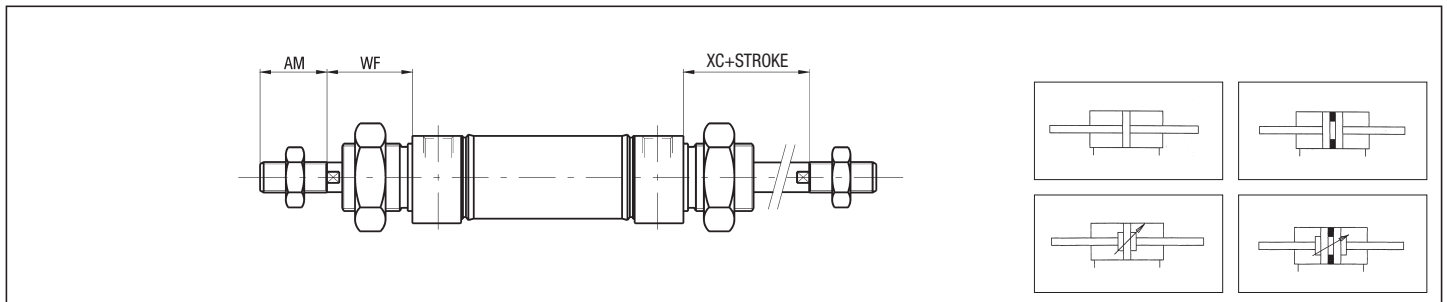
P.S.: End cap nut and nut rod supplied as standard

DIMENSIONS AND WEIGHTS BASIC CYLINDER

Ø	AM*	B	BE	C	CD* H9	Ch*	Ch2	D*	EE*	EW* d13	KK	KV	KW*	L*	M1	M2	MM	MR*	N	WF*	XC*	WEIGHT (g)	INCR (g) x 10 mm
12	16	4	M16X1,5	18	6	5	10	19	M5	12	M6	24	8	9	18	18	6	13,3	13	22	75	118	3,7
16	16	4	M16X1,5	18	6	5	10	19	M5	12	M6	24	8	9	18	18	6	13,3	11	22	82	139	4,2
20	20	5	M22X1,5	25,5	8	7	13	27	G1/8	16	M8	32	11	12	20	20	8	18,8	16	24	95	306	9,1
25	22	6	M22X1,5	28,5	8	9	17	30	G1/8	16	M10X1,25	32	11	12	22	22	10	17,1	14	28	104	406	12,5

* STANDARDIZED DIMENSIONS

THROUGH ROD

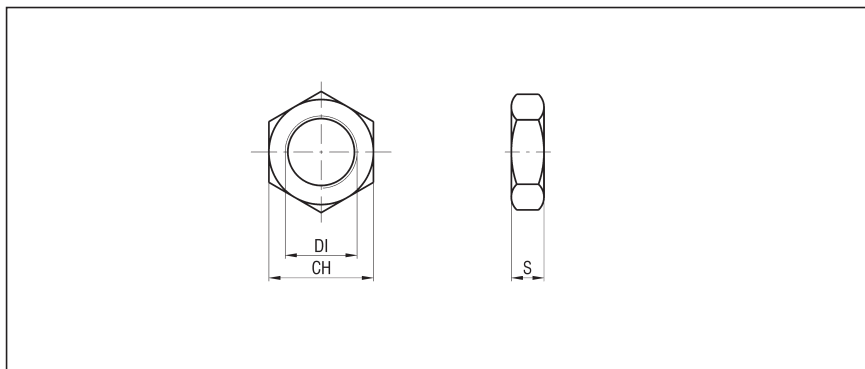


P.S.: End cap nut and nut rod supplied as standard

1

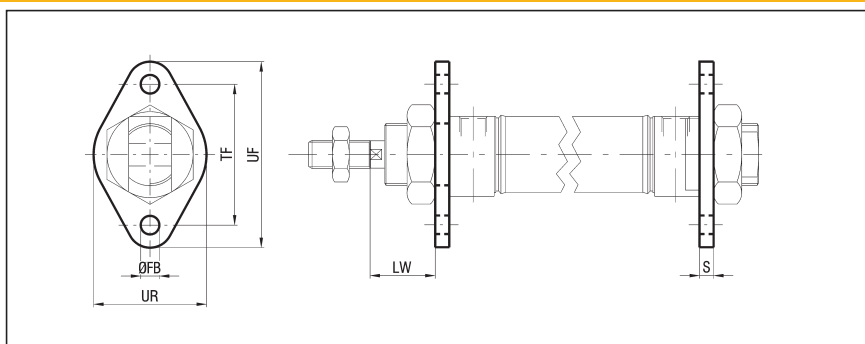
END CAP NUT - STAINLESS STEEL - AUDT Ø

Ø	DI	CH	S	WEIGHT (g)
12-16	M16x1,25	24	8	16
20-25	M22x1,5	32	11	25



FLANGE- STAINLESS STEEL - AUF Ø

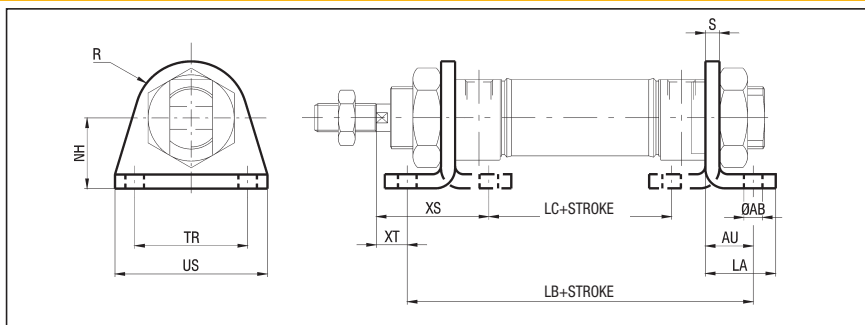
Ø	FB H13	LW	S	TF JS13	UF	UR	WEIGHT (g)
12-16	5,5	18	4	40	52	30	26
20-25	6,6	19-23	5	50	66	40	50



FOOT - STAINLESS STEEL - AUP Ø

Ø	AB H13	AU	LA	LB	LC	NH	R
12-16	5,5	14	20	74-81	28-35	20	12,5
20-25	6,6	17	25	91-95	45,5	25	20

Ø	S	TR JS13	US	XS	XT	WEIGHT (g)
12-16	4	32	42	32	8	40
20-25	5	40	54	36-40	7-11	90



REAR HINGE NOT TO ISO 6432 STANDARD - STAINLESS STEEL - AUSC Ø

Ø	CD f8	D H13	H	LA	LB JS13	LC E9	LD
12-16	6	5,5	27	25	15	12,1	5
20-25	8	6,6	30	32	20	16,1	6

Ø	LE	LX	R	S	WEIGHT (g)
12-16	24	73-80	7	3	36
20-25	26	91-100	10	4	78

