

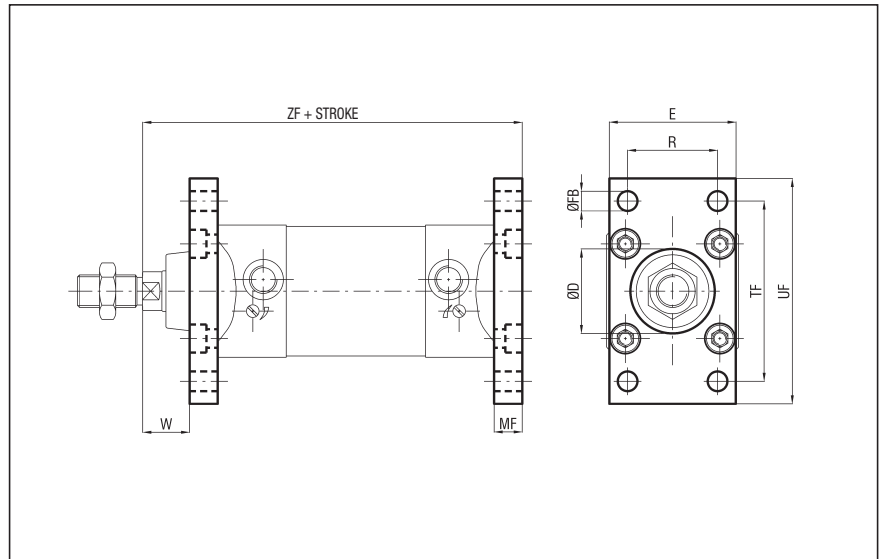
Accessories

CPUI - Fixings for cylinders to ISO 15552 standard Ø 32 ÷ 320

FLANGE - STEEL - CPUI/F Ø (supplied with screws)

Ø	D H11	FB H13	E	MF JS14	R JS14	TF JS14	UF
32	30	7	45	10	32	64	80
40	35	9	52	10	36	72	90
50	40	9	65	12	45	90	110
63	45	9	75	12	50	100	120
80	45	12	95	16	63	126	150
100	55	14	115	16	75	150	170
125	60	16	140	20	90	180	205
160	65	18	180	20	115	230	260
200	75	22	220	25	135	270	300
250	90	26	285	25	165	330	400
320	110	33	350	30	200	400	470

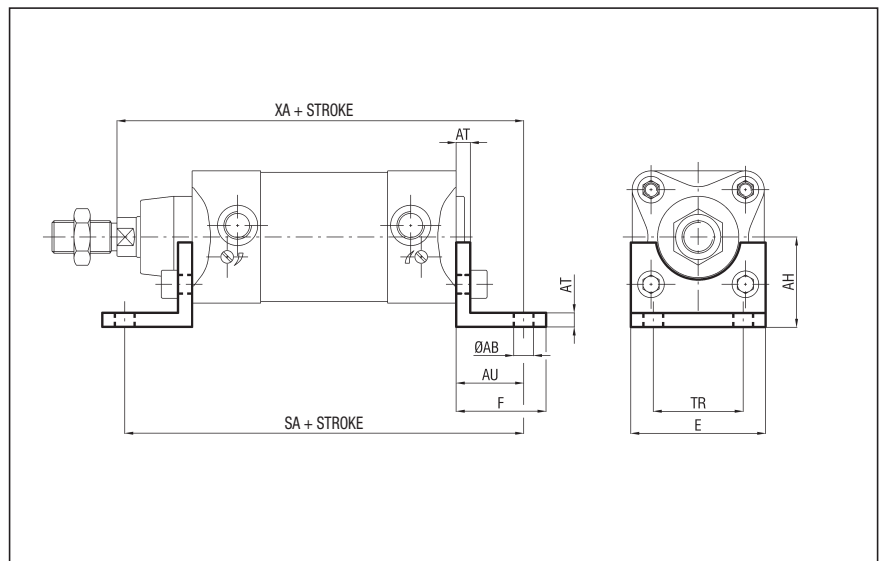
Ø	W	ZF	WEIGHT (g)
32	16	130	192
40	20	145	250
50	25	155	480
63	25	170	620
80	30	190	1450
100	35	205	1985
125	45	245	3750
160	60	280	6350
200	70	300	11300
250	80	330	20100
320	90	370	31800



FOOT - STEEL - CPUI/PB Ø (supplied with screws)

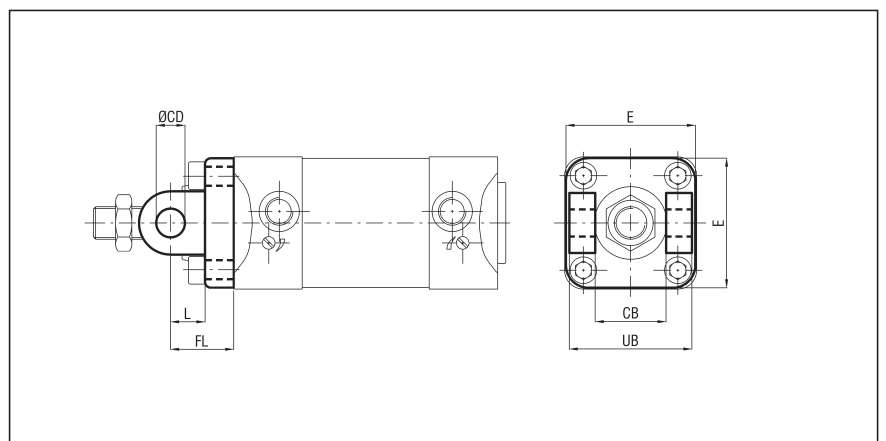
Ø	AB H14	AH JS15	AT	AU	E	F	SA
32	7	32	4	24	45	35	142
40	9	36	4	28	52	36	161
50	9	45	5	32	65	47	170
63	9	50	5	32	75	45	185
80	12	63	6	41	95	55	210
100	14	71	6	41	115	57	220
125	16	90	8	45	140	70	250
160	18	115	9	60	180	75	300
200	22	135	12	70	220	100	320
250	26	165	14	75	270	100	400

Ø	TR JS14	XA	WEIGHT (g)
32	32	144	66
40	36	163	78
50	45	175	168
63	50	190	190
80	63	215	382
100	75	230	452
125	90	270	1090
160	115	320	1188
200	135	345	3450
250	165	430	6600



FRONT FEMALE HINGE - NOT CONFORM TO ISO STANDARD - ALUMINIUM - CPUI/CFA Ø (supplied with screws)

Ø	CB	CD H9	E	FL	L	UB h14	WEIGHT (g)
32	26	10	45	22	13	45	48
40	28	12	52	25	16	52	75
50	32	12	65	27	16	60	124
63	40	16	75	32	21	70	192
80	60	16	95	36	22	90	380
100	70	20	115	41	27	110	620
125	90	25	140	50	30	130	1180
160	90	30	180	55	35	170	1780
200	110	30	220	60	35	170	2900



Accessories

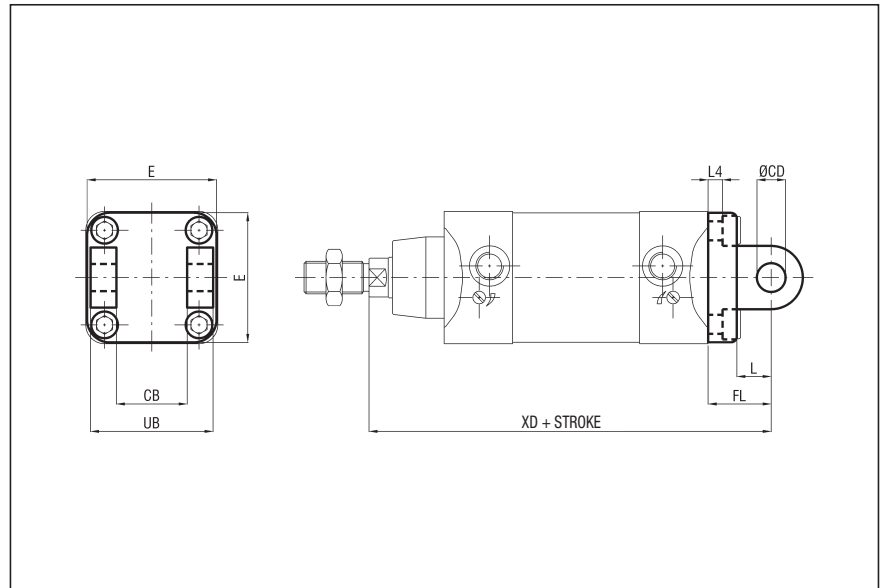
CPUI - Fixings for cylinders to ISO 15552 standard $\varnothing 32 \div 320$

REAR FEMALE HINGE (Supplied with screws)

- ALUMINIUM (BUSHING AS STANDARD FOR $\varnothing 32 \div 200$) - CPUI/CF \varnothing
- STEEL - CPUI/CF \varnothing AC

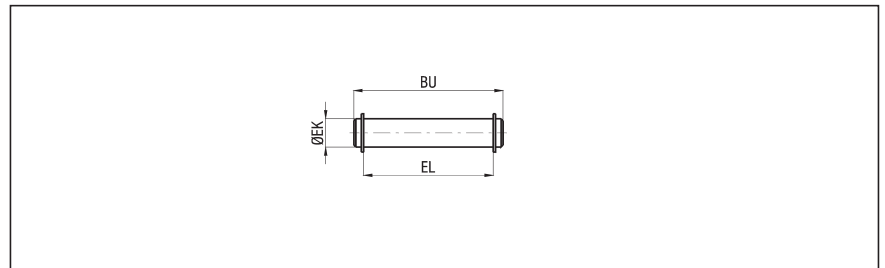
\varnothing	CB H14	CD H9	E	FL	L	L4	UB h14
32	26	10	45	22	13	5,5	45
40	28	12	52	25	16	5,5	52
50	32	12	65	27	16	6,5	60
63	40	16	75	32	21	6,5	70
80	50	16	95	36	22	10	90
100	60	20	115	41	27	10	110
125	70	25	140	50	30	10	130
160	90	30	180	55	35	10	170
200	90	30	220	60	35	11	170
250	110	40	268	70	59	11	200
320	120	45	340	80	65	15	220

\varnothing	XD	WEIGHT ALL. (g)	WEIGHT STEEL (g)
32	142	48	138
40	160	75	230
50	170	124	338
63	190	192	540
80	210	380	1000
100	230	620	1700
125	275	1180	3350
160	315	1780	5750
200	335	2900	8900
250	375	5800	15900
320	420	-	30750



PIVOT FOR REAR FEMALE HINGE - ZINC-PLATED STEEL - CPU/CPUI/SEC \varnothing

\varnothing	BU	EK f7	EL	WEIGHT (g)
32	53	10	46	32
40	60	12	53	52
50	68	12	61	60
63	78	16	71	122
80	98	16	91	152
100	118	20	111	290
125	139	25	132	530
160	178	30	171,5	978
200	178	30	171,5	978
250	211	40	202	2100
320	236	45	222	2950



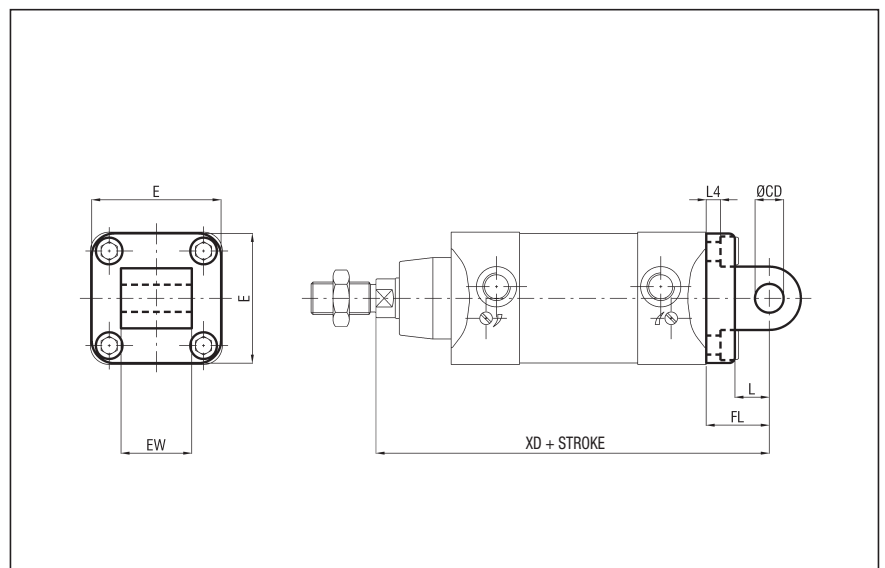
MALE HINGE

(Supplied with screws)

- ALUMINIUM (BUSHING AS STANDARD FOR $\varnothing 32 \div 200$) - CPUI/CM \varnothing
- STEEL - CPUI/CM \varnothing AC

\varnothing	CD H9	E	EW	FL	L	L4	XD
32	10	45	26	22	13	5,5	142
40	12	52	28	25	16	5,5	160
50	12	65	32	27	16	6,5	170
63	16	75	40	32	21	6,5	190
80	16	95	50	36	22	10	210
100	20	115	60	41	27	10	230
125	25	140	70	50	30	10	275
160	30	180	90	55	35	10	315
200	30	220	90	60	35	11	335
250	40	268	110	70	47	11	375
320	45	340	120	80	52	15	420

\varnothing	WEIGHT ALL. (g)	WEIGHT STEEL (g)
32	54	176
40	76	274
50	124	368
63	212	682
80	420	1196
100	666	2100
125	1264	3740
160	1846	5890
200	2950	8470
250	6200	16850
320	-	31750



Accessories

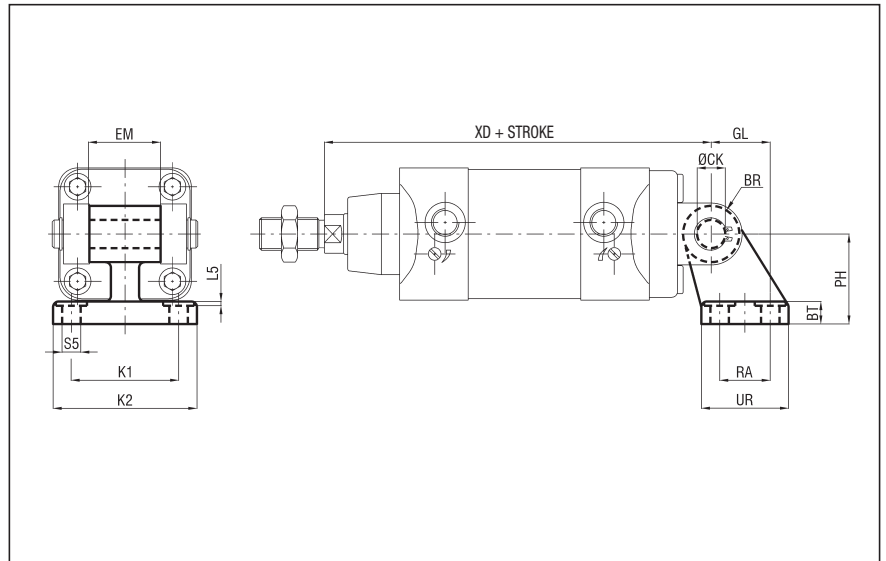
CPUI - Fixings for cylinders to ISO 15552 standard Ø 32 ÷ 320

SQUARE JOINT

- ALUMINIUM (BUSHING AS STANDARD FOR Ø 32 ÷ 200) - CPUI/AS Ø
 - STEEL - CPUI/AS Ø AC (Ø 32 ÷ 125)

Ø	PH JS15	CK H9	EM	GL JS14	RA JS14	UR	BT	L5
32	32	10	26	21	18	31	8	1,6
40	36	12	28	24	22	35	10	1,6
50	45	12	32	33	30	45	12	1,6
63	50	16	40	37	35	50	14	1,6
80	63	16	50	47	40	60	14	2,5
100	71	20	60	55	50	70	17	2,5
125	90	25	70	70	60	90	20	3,2
160	115	30	90	97	88	126	25	4
200	135	30	90	105	90	130	30	4
250	165	40	110	128	110	160	35	4,5

Ø	BR	S5 H13	K1 JS14	K2	XD	WEIGHT ALL. (g)	WEIGHT STEEL (g)
32	10	6,6	38	51	142	56	158
40	11	6,6	41	54	160	139	238
50	13	9	50	65	170	142	418
63	15	9	52	67	190	200	526
80	15	11	66	86	210	312	1055
100	19	11	76	96	230	510	1510
125	22,5	14	94	124	275	826	3150
160	31,5	18	118	156	315	2600	-
200	31,5	18	122	162	335	3250	-
250	???	22	150	200	375	5700	-



NARROW REAR FEMALE HINGE

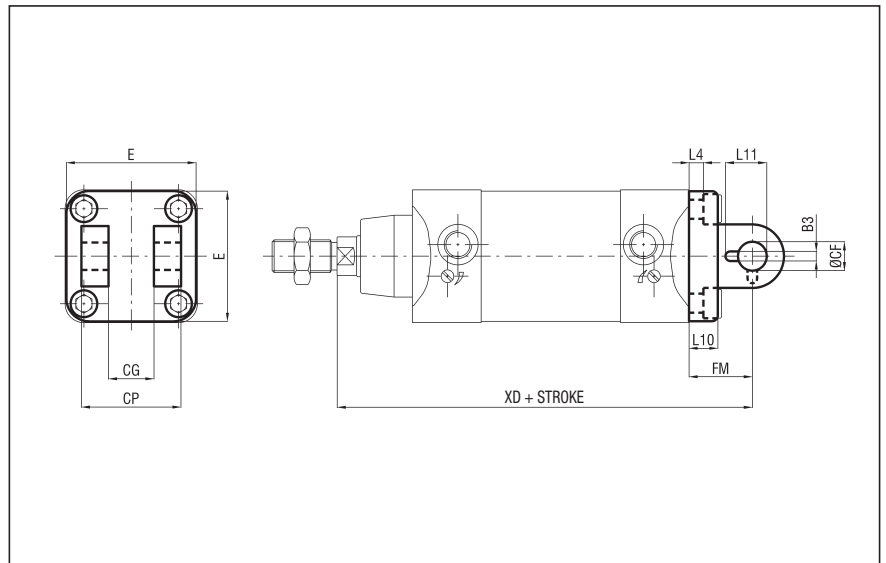
(Supplied with screws)

- ALUMINIUM - CPUI/CFS Ø

- STEEL - CPUI/CFS Ø AC (Ø 32 ÷ 125)

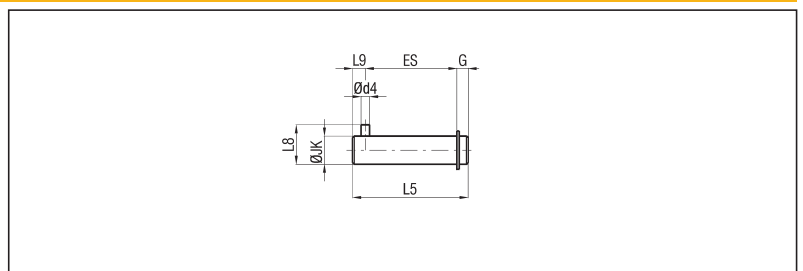
Ø	CG D10	CP d12	B3	CF F7	E	FM	L10	L11
32	14	34	3,3	10	45	22	9	16,5
40	16	40	4,3	12	52	25	9	18
50	21	45	4,3	16	65	27	11	22
63	21	51	4,3	16	75	32	11	22
80	25	65	4,3	20	95	36	14	26
100	25	75	6,3	20	115	41	14	26
125	37	97	6,3	30	140	50	20	39
160	43	122	6,3	35	180	55	20	44
200	43	122	6,3	35	220	60	25	44
250	49	125	8,3	40	270	70	25	52

Ø	L4	XD	WEIGHT ALL. (g)	WEIGHT STEEL (g)
32	5,5	142	42	140
40	5,5	160	70	230
50	6,5	170	112	336
63	6,5	190	194	546
80	10	210	382	1190
100	10	230	610	1840
125	10	275	1100	3550
160	10	315	2030	-
200	11	335	3400	-
250	11	375	5400	-



NON-ROTATING PIVOT FOR NARROW REAR FEMALE HINGE - GALVANIZED NITRIDED STEEL - CPUI/SEC Ø AT

Ø	d4 H12	JK f7	L8	ES	L9	L5	G	WEIGHT (g)
32	3	10	14	32,5	4,5	41	4	26
40	4	12	16	38	6	48	4	42
50	4	16	20	43	6	54	5	84
63	4	16	20	49	6	60	5	94
80	4	20	24	63	6	75	6	184
100	4	20	24	73	6	85	6	208
125	6	30	36	94	9	110	7	606
160	6	35	41	119	9	135	7	972
200	6	35	41	119	9	135	7	972
250	8	40	48	121	12	140	7	1365



Accessories

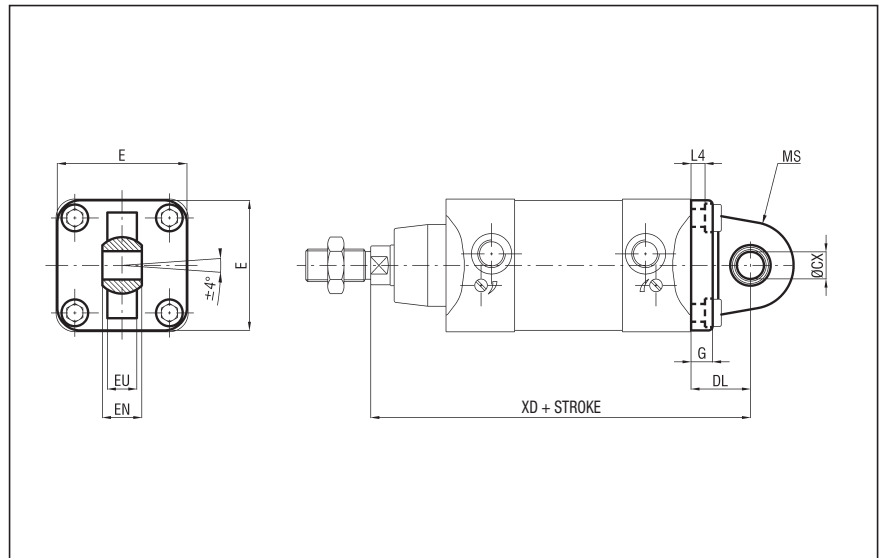
CPUI - Fixings for cylinders to ISO 15552 standard Ø 32 ÷ 320

NARROW MALE HINGE WITH ARTICULATED HEAD (ISO 12240) (Supplied with screws)

- ALUMINIUM - CPUI/CMSS Ø
- STEEL - CPUI/CMSS Ø AC (Ø 32 ÷ 125)

Ø	CX H7	E	EN	MS	EU	G	DL
32	10	45	14	16	10,5	9	22
40	12	55	16	19	12	9	25
50	16	65	21	21	15	11	27
63	16	75	21	24	15	11	32
80	20	95	25	28,5	18	14	36
100	20	115	25	30	18	14	41
125	30	140	37	40	25	20	50
160	35	180	43	45	28	20	55
200	35	220	43	48	28	25	60
250	40	270	49	52	33	25	20

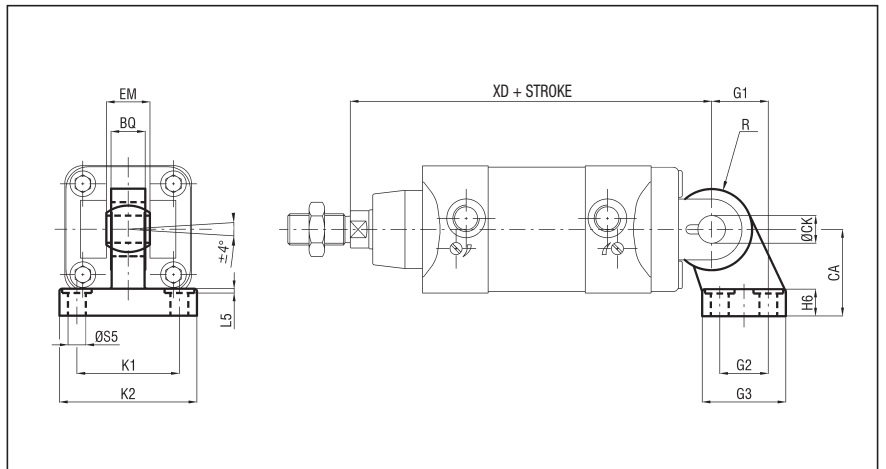
Ø	L4	XD	WEIGHT ALL. (g)	WEIGHT STEEL (g)
32	5,5	142	62	152
40	5,5	160	100	256
50	6,5	170	180	364
63	6,5	190	244	595
80	10	210	476	1122
100	10	230	646	1786
125	10	275	1410	3500
160	10	315	2420	-
200	11	335	3840	-
250	11	375	5850	-



SQUARE JOINT WITH ARTICULATED HEAD (ISO 12240) - STEEL - CPUI/ASSS Ø AC

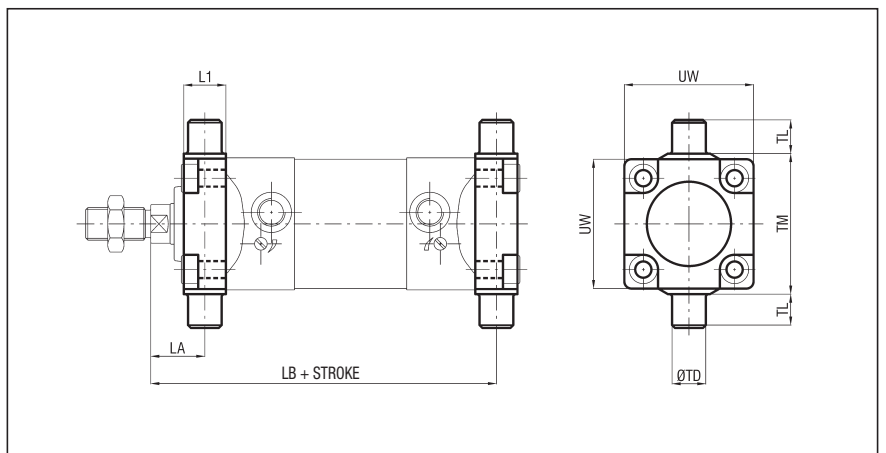
Ø	CA JS15	BQ	CK H7	EM	G1 JS14	G2 JS14	G3	H6
32	32	10,5	10	14	21	18	31	10
40	36	12	12	16	24	22	35	10
50	45	15	16	21	33	30	45	12
63	50	15	16	21	37	35	50	12
80	63	18	20	25	47	40	60	14
100	71	18	20	25	55	50	70	15
125	90	25	30	37	70	60	90	20

Ø	K1 JS14	K2	L5	R	S5 H13	XD	WEIGHT (g)
32	38	51	1,6	15	6,6	142	178
40	41	54	1,6	18	6,6	160	268
50	50	65	1,6	20	9	170	458
63	52	67	1,6	23	9	190	550
80	66	86	2,5	27	11	210	970
100	76	96	2,5	30	11	230	1326
125	94	124	3,2	40	13,5	275	3000



FLOATING HINGE - STEEL - CPUI/CTA Ø (Supplied with screws)

Ø	L1	LA	LB	TD e9	TL h14	TM h14	UW	WEIGHT (g)
32	14	19	127	12	12	50	46	137
40	19	20,5	144,5	16	16	63	59	385
50	19	27,5	152,5	16	16	75	69	513
63	24	25	170	20	20	90	84	1041
80	24	34	186	20	20	110	102	1563
100	29	36,5	203,5	25	25	132	125	3000
125	32	49	211	25	25	160	155	2100
160	40	75	280	32	32	200	190	4150
200	40	85	295	32	32	250	240	7350



Accessories

CPUI - Fixings for cylinders to ISO 15552 standard Ø 32 ÷ 320

INTERMEDIATE HINGE - STEEL - X/CT Ø (Supplied with dowels)

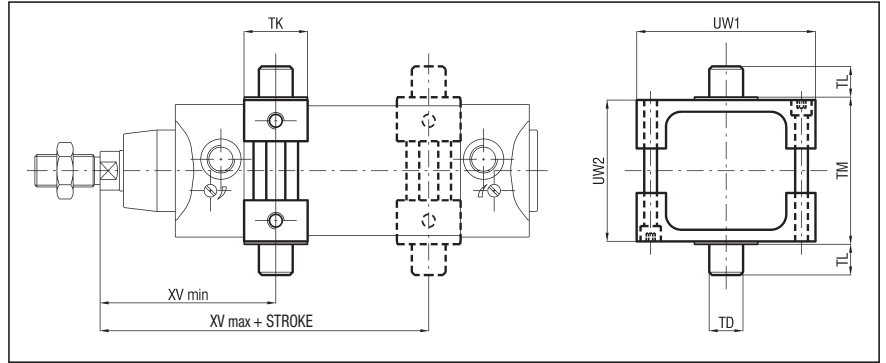
Ø	TK	TD e9	TL h14	TM* 0/-Q3	UW1	UW2	XV min	XV max	WEIGHT (g)
32	25	12	12	49,5	65	49	65,5	80,5	177
40	25	16	16	61,7	75	62	73,5	91,5	325
50	30	16	16	74,6	95	74	82	98	433
63	30	20	20	87,8	105	88	87,5	107,5	668
80	30	20	20	105,8	130	109	97	123	1309
100	40	25	25	129,8	145	130	110	130	1817

*DIMENSION NOT STANDARDIZED

USABLE WITH CYLINDER SERIES X AND SERIES XT

P.S.: ADJUSTABLE POSITION (fixing through dowels)

ASSEMBLY: X/CT Ø + cylinder X
type **M/X/CT Ø**



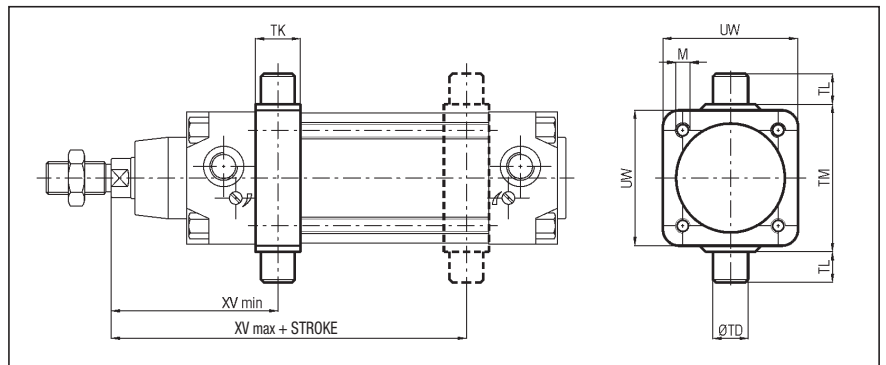
INTERMEDIATE HINGE - STEEL - EXTRUDED TUBE - XT-CT Ø (THREADED - ROUND)

Ø	TK	M	TD e9	TL h14	TM 0/-Q3	UW	XV min	XV max	WEIGHT (g)
32	15	M6	12	12	50	46	60,5	85,5	128
40	20	M6	16	16	63	59	71	96,5	308
50	20	M8	16	16	75	69	77	103	370
63	25	M8	20	20	90	84	85	110	690
80	25	M10	20	20	110	102	94,5	125,5	894
100	30	M10	25	25	132	125	105	135	1584

USABLE WITH CYLINDER SERIES XT EXTRUDED TUBE (S14)

P.S.: - FIXED POSITION (specify dimension "XV", fixed on cylinder with completed threaded and galvanized tie rods type "S6", see on page 1.1)

ASSEMBLY (FIXED): XT/CT Ø + cylinder XT S6
type **MF/XT/CT Ø**



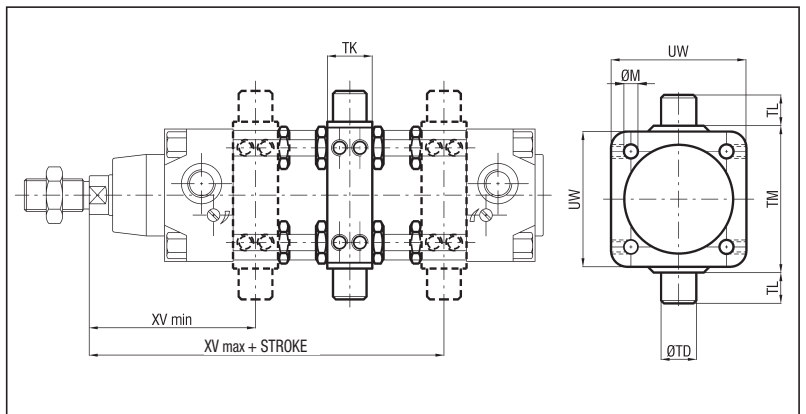
INTERMEDIATE HINGE - STEEL - EXTRUDED TUBE (Supplied with dowels) - XT/CPUI/CT Ø 32 ÷ 100 - CX/CPUI/CT Ø 125 ÷ 320

Ø	TK	M	TD e9	TL h14	TM h14	UW	XV min	XV max	WEIGHT (g)
32	15	6,25	12	12	50	46	60,5	85,5	110
40	20	6,25	16	16	63	59	71	96,5	290
50	20	8,25	16	16	75	69	77	103	330
63	25	8,25	20	20	90	84	85	110	650
80	25	10,25	20	20	110	102	94,5	125,5	830
100	30	10,25	25	25	132	125	105	135	1560
125	32	12,25	25	25	160	155	127	163	2450
160	40	16,25	32	32	200	190	150	190	4150
200	40	16,25	32	32	250	240	163	207	7300
250	50	20,25	40	40	320	295	184	226	12920
320	70	24,25	50	50	400	370	212	248	25280

P.S.: - FIXED POSITION - Ø 125 ÷ 320 (specify dimension "XV", fixed on cylinder with completed threaded and galvanized tie rods type "S6", see on page 1.1)

ADJUSTABLE POSITION- Ø 32 ÷ 100 XT S14 (fixing through dowels)
- Ø 125 ÷ 200 XL (fixing through dowels)

ASSEMBLY (FIXED): CX/CPUI/CT Ø + cylinder CPUI S6
type **MF/CX/CPUI/CT Ø**



SUPPORT FOR INTERMEDIATE HINGE - STEEL - CPUI/SCT Ø

Ø	A	B1	B2	C	d1 F7	d2 H13	FN
32	32	46	18	10,5	12	6,6	30
40-50	36	55	21	12	16	9	36
63-80	42	65	23	13	20	11	40
100-125	50	75	28,5	16	25	14	50
160-200	60	92	40	22,5	32	18	60
250	90	140	56	31	40	22	90

Ø	XA	WEIGHT (g)
32	71	100
40-50	87-99	150
63-80	116-136	234
100-125	164-192	435
160-200	245-295	850
250	360	2750

