

1

DESCRIPTION

Stainless steel cylinders serie "AP" with round profile, and correspondent fixings accessories, are available from Ø 32 to Ø 63, in the basic cylinder version, through rod, magnetic and non-magnetic. They can comply with ATEX directive, 2GD category, upon request.



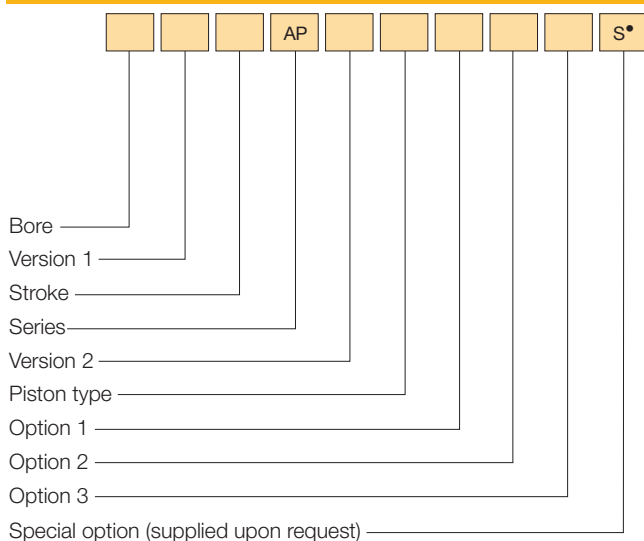
TECHNICAL DATA

Operating pressure	1 ± 10 bar
Working temperature	0 ÷ +80 °C (-20 °C with dry air) 0 ÷ +150 °C with seals for high temperature (-10 °C with dry air)
Fluid	Compressed air, filtered, continuous lubricated, unlubricated or dry lubricated
Versions	Double acting, through rod
Bore	Ø 32, 40, 50, 63
Port size	Ø 32 = G 1/8 Ø 40 - 50 = G 1/4 Ø 63 = G 3/8
Standard strokes (mm)	10, 25, 50, 80, 100, 125, 160, 200, 250, 320, 400, 500
Maximum strokes (mm)	Ø 32 ÷ 63 = 1000

MATERIALS

End caps	AISI 304 stainless steel
Cylinder barrel	Extruded tube, AISI 304 stainless steel
Barrel-end cover fixing type	Irreversible calking with dual-seal system, mechanical and pneumatic
Piston rod	AISI 316 stainless steel
Rod nut and ring nut	AISI 304 stainless steel
Piston rod bearing	Self lubricating sintered bronze
Piston	Aluminium alloy (supplied with or without magnet)
Seals	Polyurethane - FKM (Viton®)

ORDER KEY



• See chapter 1, page 1.1.

VERSION 1

/ Basic cylinder R Through rod

VERSION 2

D Double acting

PISTON TYPE

C Non-magnetic E Magnetic*

OPTION 1

X Cushioned (only the basic version)

OPTION 2

2 Seals for high temperature

OPTION 3

/EX Consistent with the ATEX directive  II 2GD c T5 T100°C -20°C <Ta<80°C

* Available even with "FKM" (Viton®) seals but just for applications where is needed a chemical compatibility; not available for high temperatures.

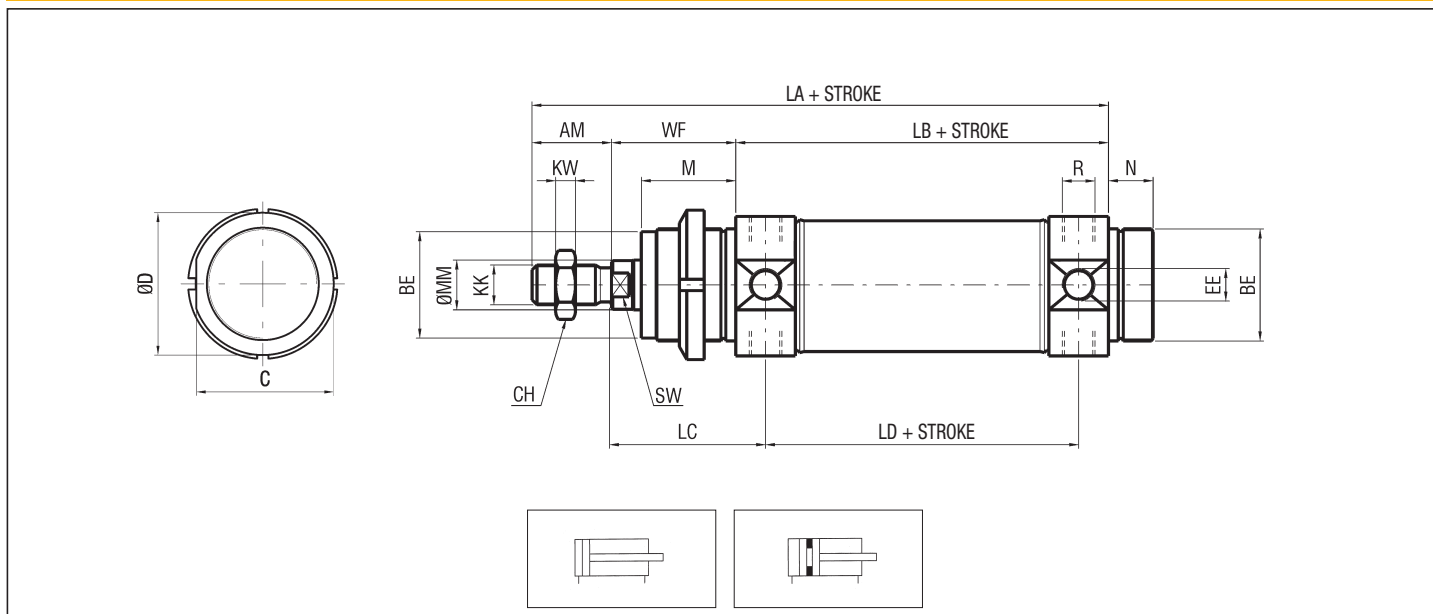
ORDER EXAMPLES

Basic cylinder Ø 32, 50 mm stroke, double acting, non-magnetic piston type: **32/50 APDC**

Basic cylinder Ø 40, 50 mm stroke, double acting, non-magnetic piston type, ATEX: **40/50 APDE/EX**

Cylinder Ø 50, through rod, 100 mm stroke, double acting, magnetic piston type: **50R100 APDE**

AP BASIC CYLINDER

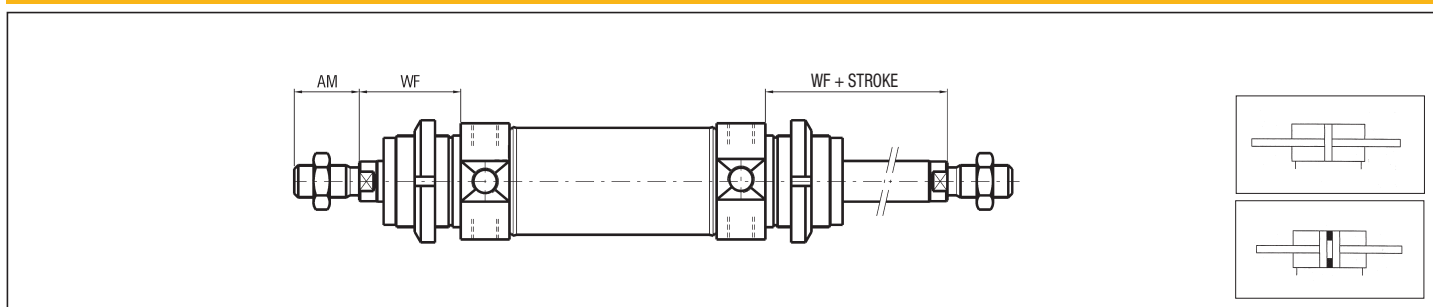


P.S.: End cap ring nuts and rod nuts supplied as standard

DIMENSIONS AND WEIGHTS BASIC CYLINDER

\varnothing	AM	BE	C	CH	D	EE	KK	KW	LA	LB	LC	LD	M	MM	N	R	SW	WF	XC	XD	WEIGHT (g)	INCR. (g) x 10 mm
32	20	M30x1,5	36,5	17	38	G1/8	M10	6	154	96	47	78	30	12	14	M8x1	10	38	134	140	789	16
40	24	M38x1,5	44	19	46	G1/4	M12	7	182	113	57	89	35	16	16	M10x1	12	45	158	163	1410	26
50	32	M45x1,5	55	24	57	G1/4	M16	8	202	120	62	96	38	20	18	M12x1,5	16	50	170	176	2383	34
63	32	M45x1,5	67,5	24	70	G3/8	M16	8	206	124	63	98	38	20	18	M14x1,5	16	50	174	180	3231	50

THROUGH ROD

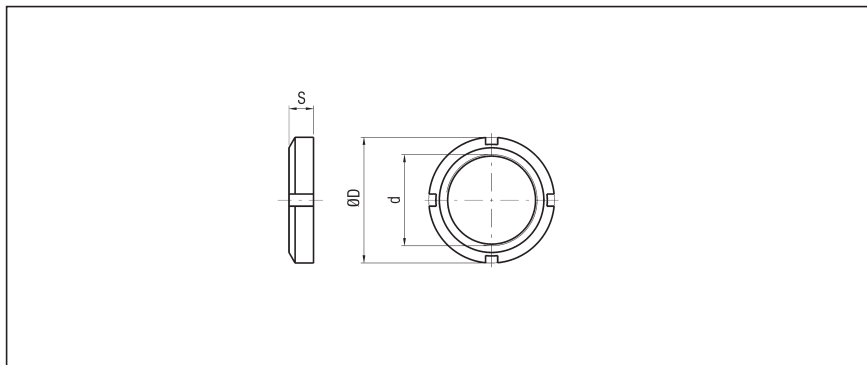


P.S.: End cap ring nuts and rod nuts supplied as standard

1

RING NUT - STAINLESS STEEL - APG Ø

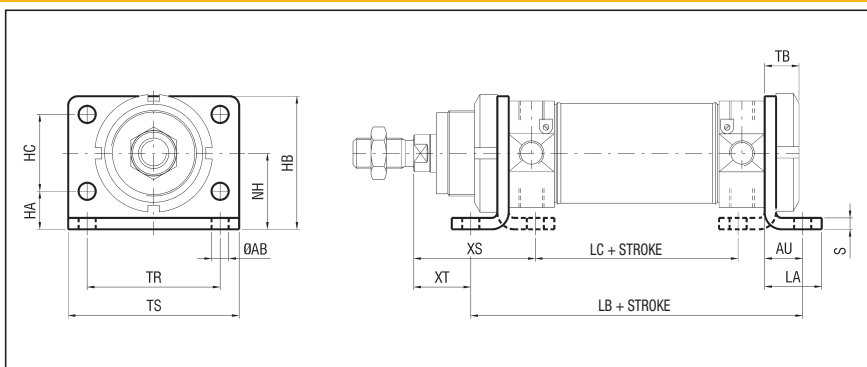
Ø	d	D	S	WEIGHT (g)
32	M30x1,5	42	8	43
40	M38x1,5	50	10	80
50-63	M45x1,5	65	10	122



FLANGE/FOOT - STAINLESS STEEL - APFP Ø

Ø	AB	AU	HA	HB	HC	LA	LB	LC
32	7	14	14	49	28	21	124	76
40	9	20	18	58	30	30	153	83
50	9	20	20	70	40	30	160	92
63	9	20	20	80	50	30	164	92

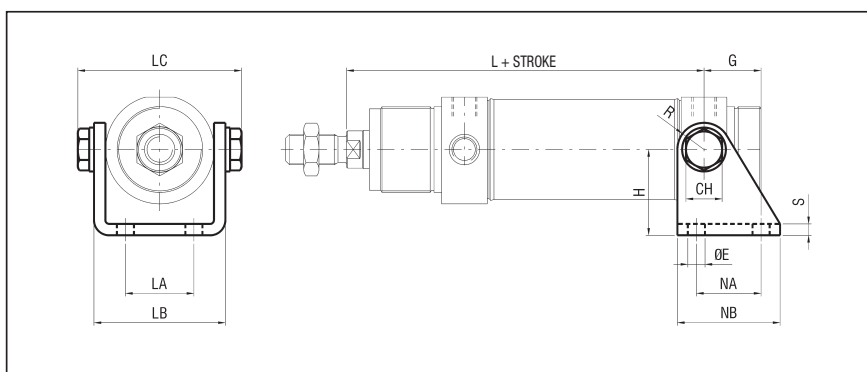
Ø	NH	S	TB	TR	TS	XS	XT	WEIGHT (g)
32	28	4	11	52	66	48	24	98
40	33	5	13	60	80	60	25	183
50	40	6	14	70	90	64	30	276
63	45	6	14	76	96	64	30	395



REAR HINGE - STAINLESS STEEL - APSC Ø

Ø	CH	E	G	H	L	LA	LB
32	13	7	20	35	125	20	46,1
40	17	9	27	40	146	28	56,1
50	19	9	30	45	158	36	69,1
63	19	9	34	50	161	42	82,1

Ø	LC	NA	NB	R	S	WEIGHT (g)
32	58	24	40	12	4	150
40	70	30	50	13	5	259
50	86	34	54	14	6	403
63	100	35	65	16	6	520



PIVOT (pair) - STAINLESS STEEL - APT Ø

Ø	D	H	LA	LB	CH	WEIGHT (g)
32	10	51	47	125	5	10
40	12	61	57	146	6	20
50	14	75	62	158	6	40
63	16	92	63	161	8	65

